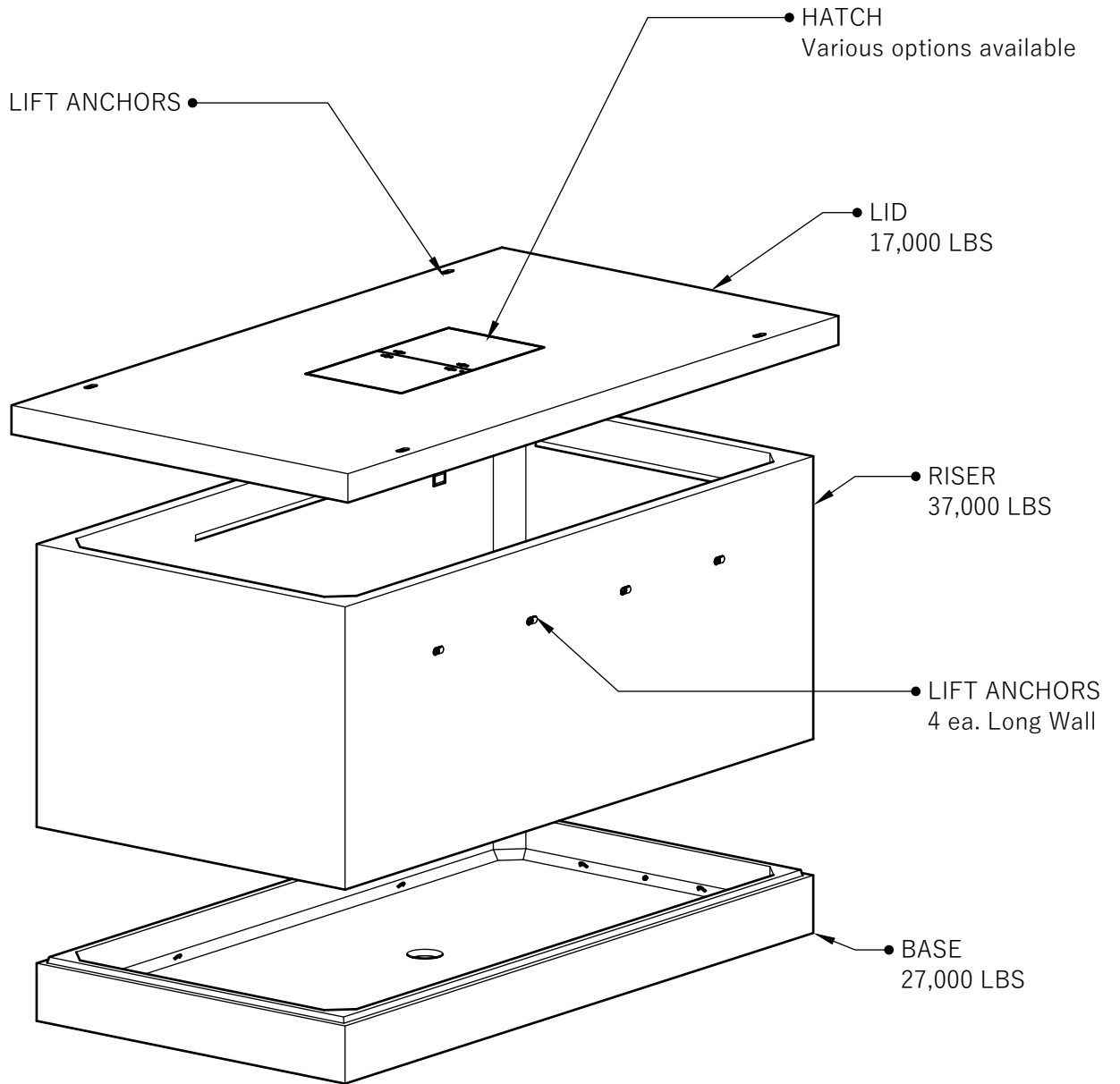


1020 WA

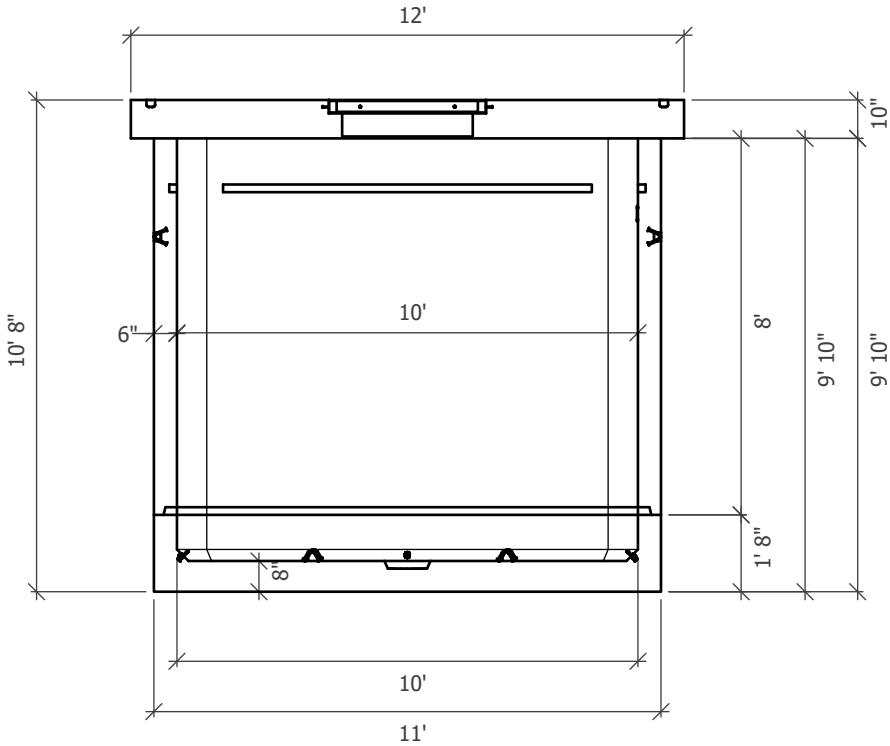
ISOMETRIC



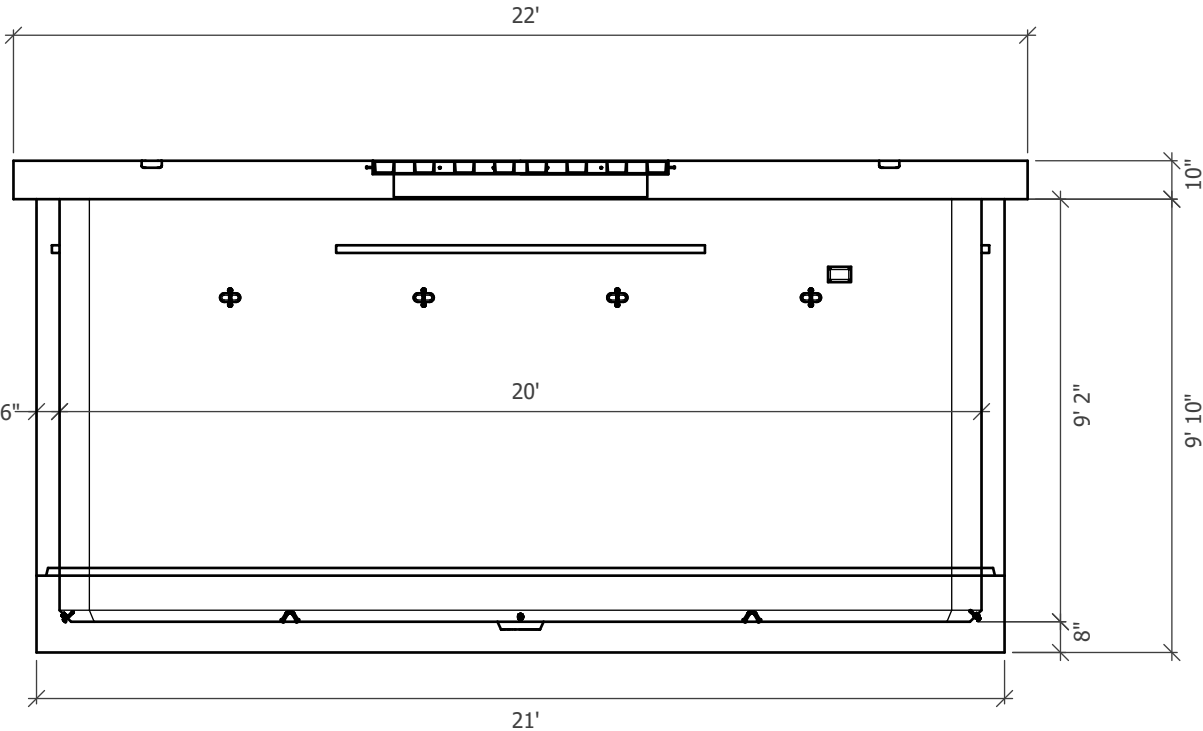
| | | | |
|-----------|-------------------------------------------------------------------------------------------------------------------------------------------------|--------------------------------|---|
| ISOMETRIC |  541-923-3272 1111 NE 11TH ST. REDMOND, OR 97756 | Date Modified: August 26, 2022 | 1 |
| | | Plan Sheet: | |
| Customer: | Project: | Product: 1020 WA | |

1020 WA

END



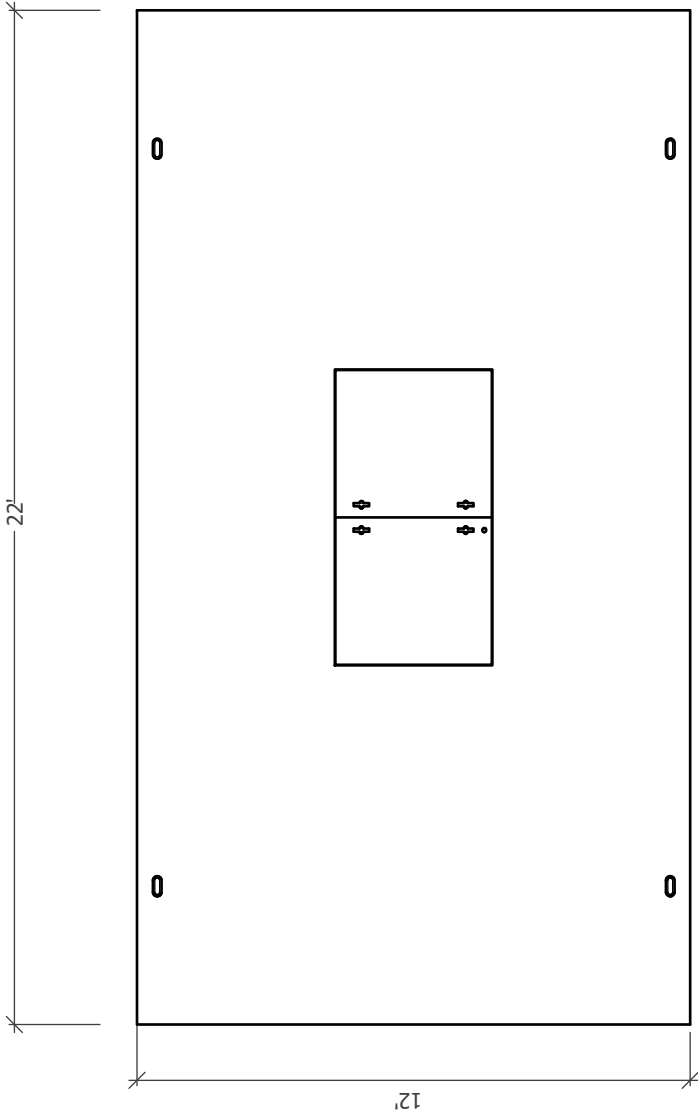
SIDE



| | | | | |
|-----------|-------------------------------------------------------------------------------------|----------------------------------------------------------|--------------------------------|----------|
| PROFILE |  | 541-923-3272 1111 NE 11TH ST. REDMOND, OR 97756 | Date Modified: August 26, 2022 | 2 |
| | | | Plan Sheet: | |
| Customer: | Project: | Product: 1020 WA | | |

1020 WA

PLAN VIEW



PLAN VIEW



541-923-3272
 1111 NE 11TH ST.
 REDMOND, OR
 97756

Date Modified: August 26, 2022

Plan Sheet:

3

Customer:

Project:

Product: 1020 WA