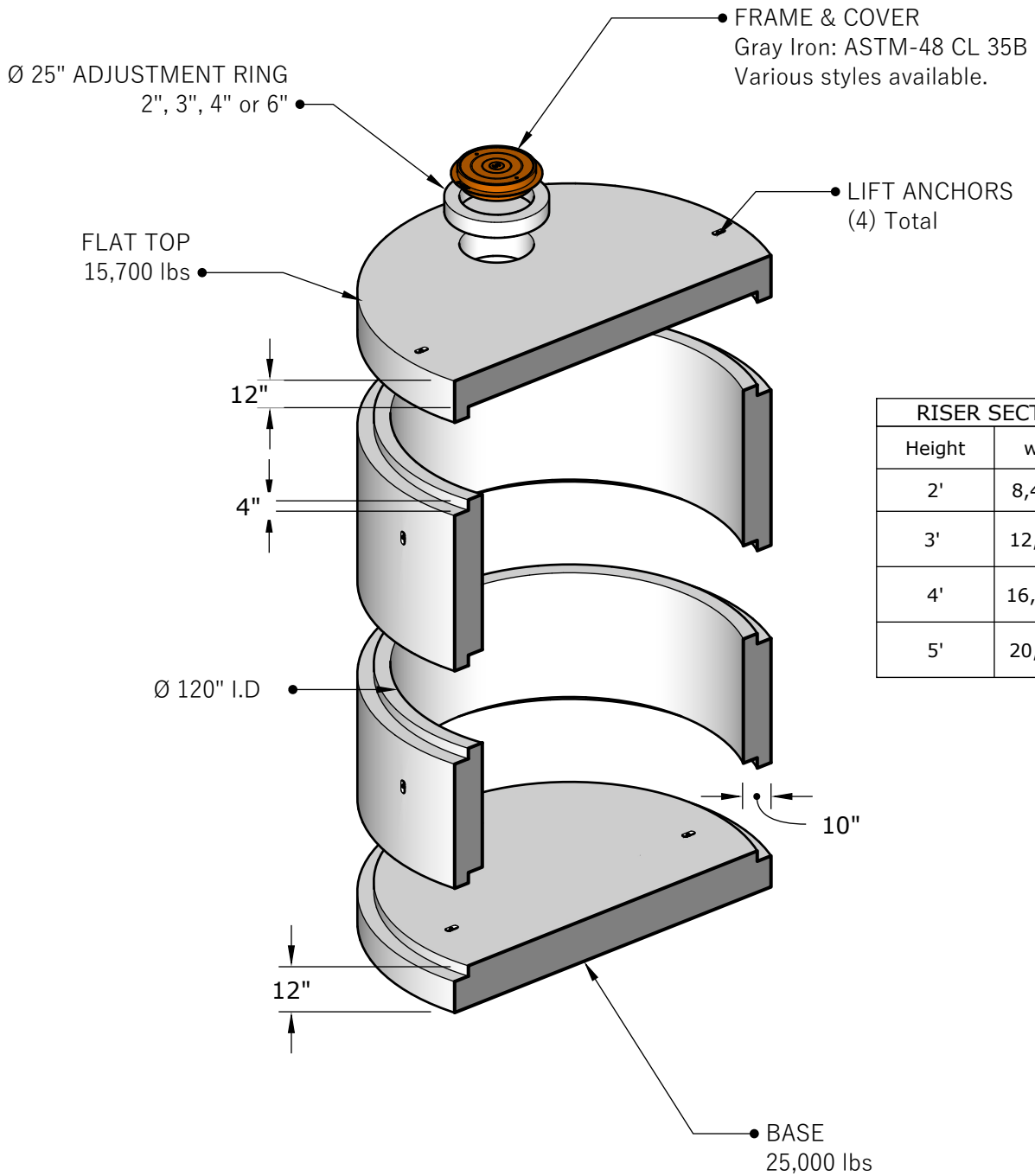


# 120" Manhole Material



1111 NE 11th St.  
Redmond OR, 97756  
541-923-3272

## 120" Manhole Material

- Steps optional
- ConSeal CS-102 optional
- Holes cored as required
- Boot connector optional
- Channeled bases optional
- Extended base available