

24" Inlet

SECTION AA CUTAWAY

COMMON FRAME & GRATE
OPTIONS SHOWN

SLOTTED COVER
D&L C-2107

FRAME
D&L A-2107

BEEHIVE GRATE
ej 00370060

REVERSABLE FRAME
ej 00371012

BEEHIVE GRATE
D&L C-2300-02
*Fits in bell end
without frame

SLOTTED COVER
D&L J-4412
*Fits in bell end
without frame

SPLIT FOOT ANCHOR
(2) Total
Requires clutches.

Rapid Lift Clutch
RL-35
2.5 ton.
(NOT INCLUDED)

24" X 4' INLET

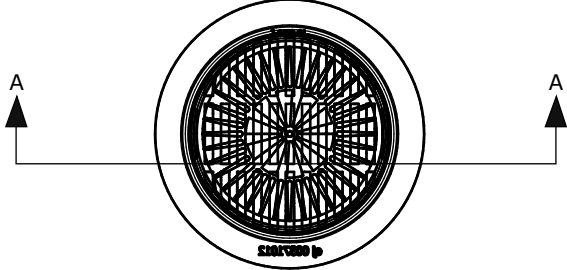
BOTTOM
Spigot riser
connection shown.

BELL END

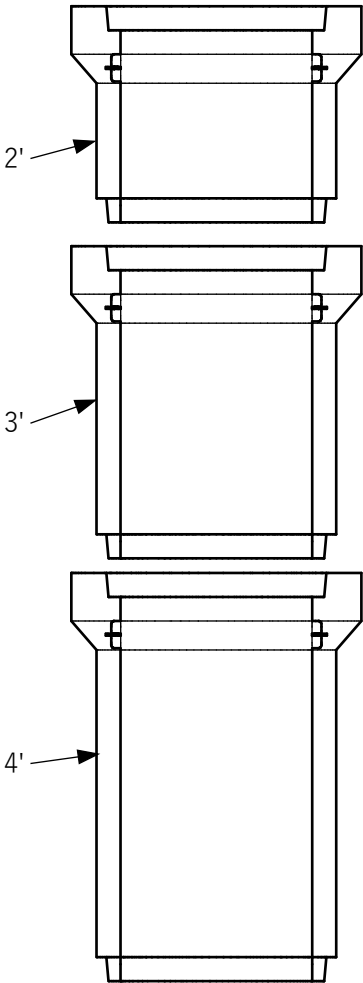
ISOMETRIC		541-923-3272 1111 NE 11TH ST. REDMOND, OR 97756	Date Modified: December 29, 2023	1
			Plan Sheet:	
Customer:	Project:	Product: 24" Inlet		

24" Inlet

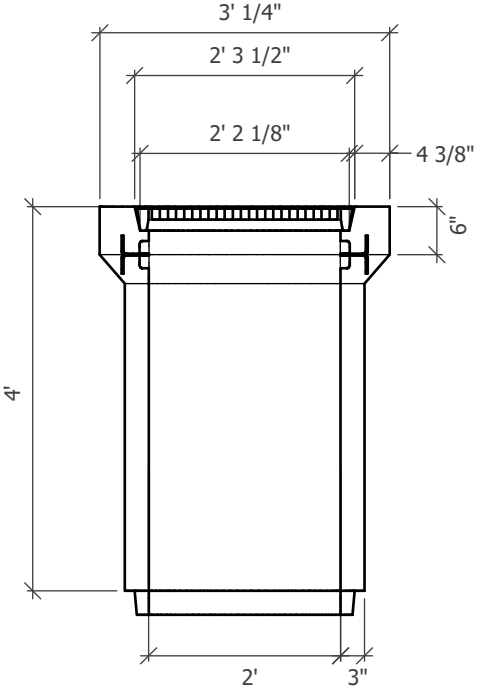
TOP



AVAILABLE RISER OPTIONS

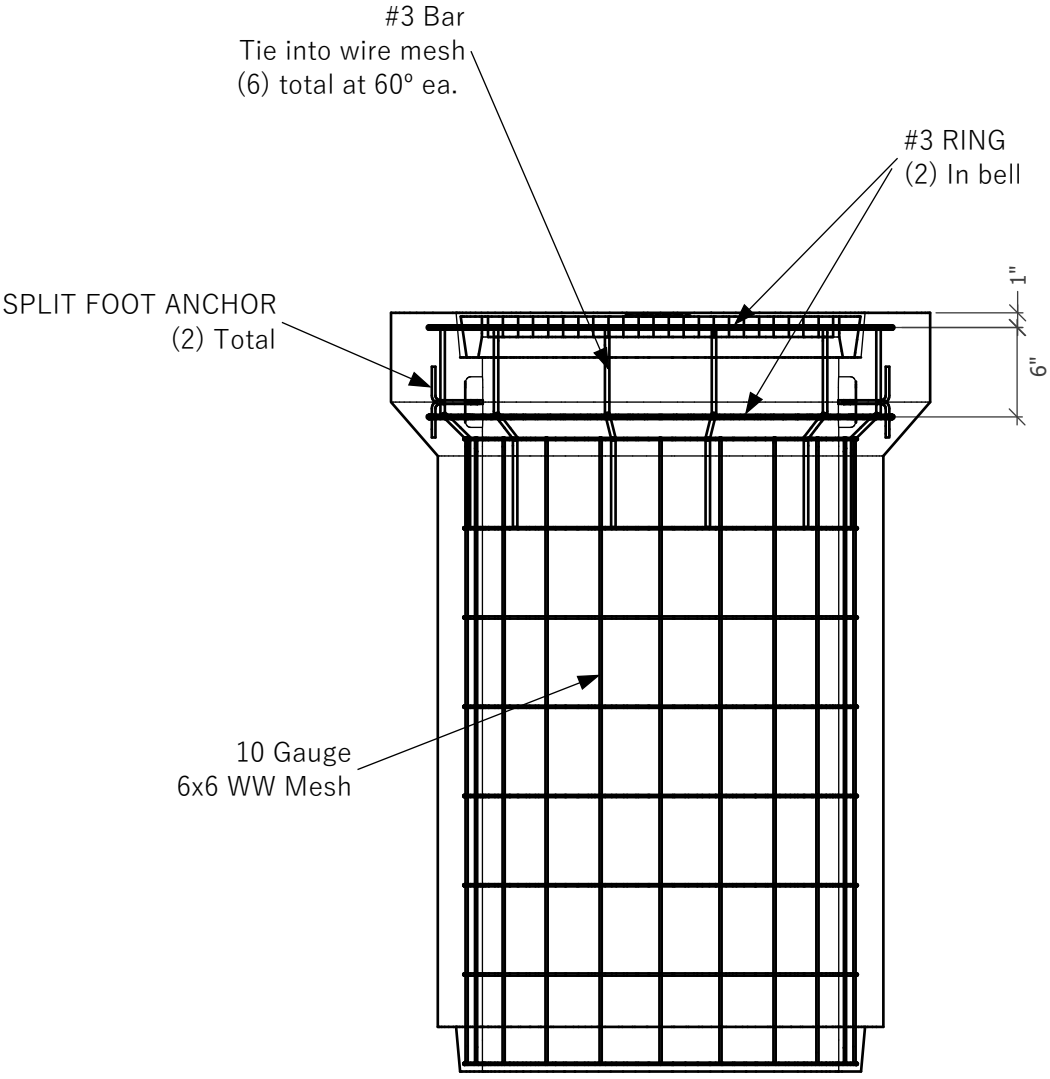


PROFILE



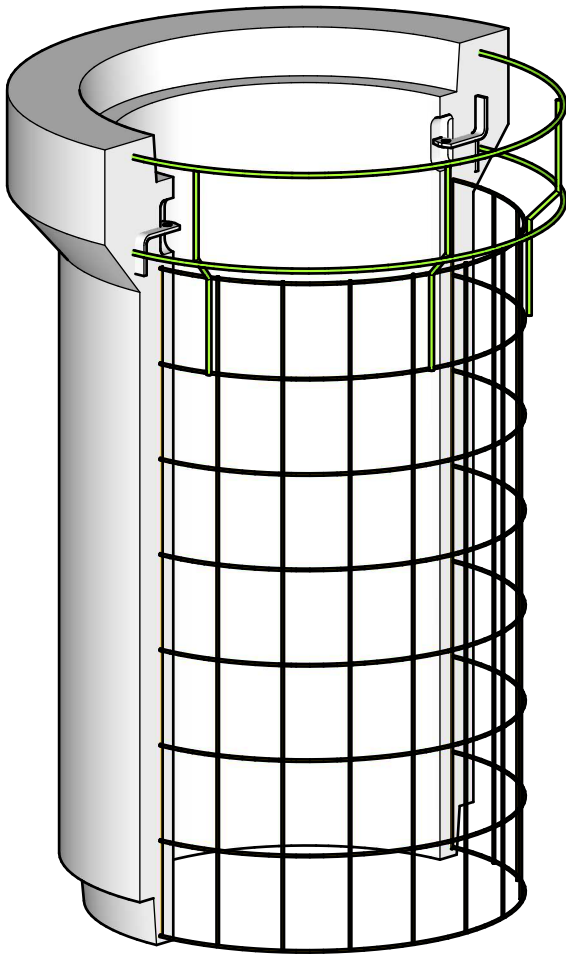
PROFILE		541-923-3272 1111 NE 11TH ST. REDMOND, OR 97756	Date Modified: December 29, 2023	2
		Customer:	Project:	
			Product: 24" Inlet	

24" Inlet



REBAR	 <p>541-923-3272 1111 NE 11TH ST. REDMOND, OR 97756</p>	Date Modified: December 29, 2023	3
Customer:	Project:	Plan Sheet:	
		Product: 24" Inlet	

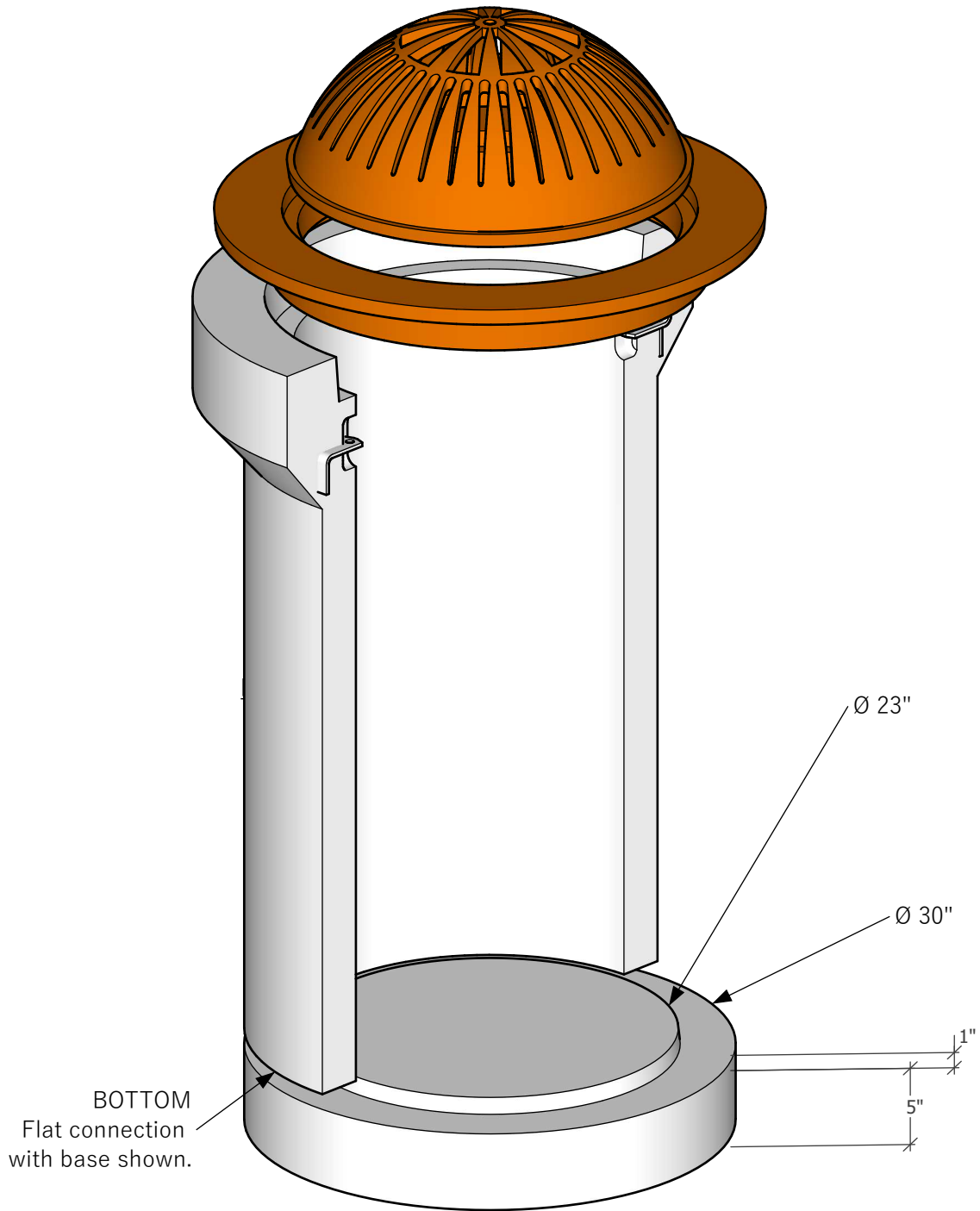
24" Inlet



REBAR ISO	 <p>541-923-3272 1111 NE 11TH ST. REDMOND, OR 97756</p>	Date Modified: December 29, 2023	4
Customer:	Project:	Plan Sheet: Product: 24" Inlet	

SIDE VIEW

24" Inlet



FLOOR OPTION	 541-923-3272 1111 NE 11TH ST. REDMOND, OR 97756	Date Modified: December 29, 2023	5
		Plan Sheet:	
Customer:	Project:	Product: 24" Inlet	