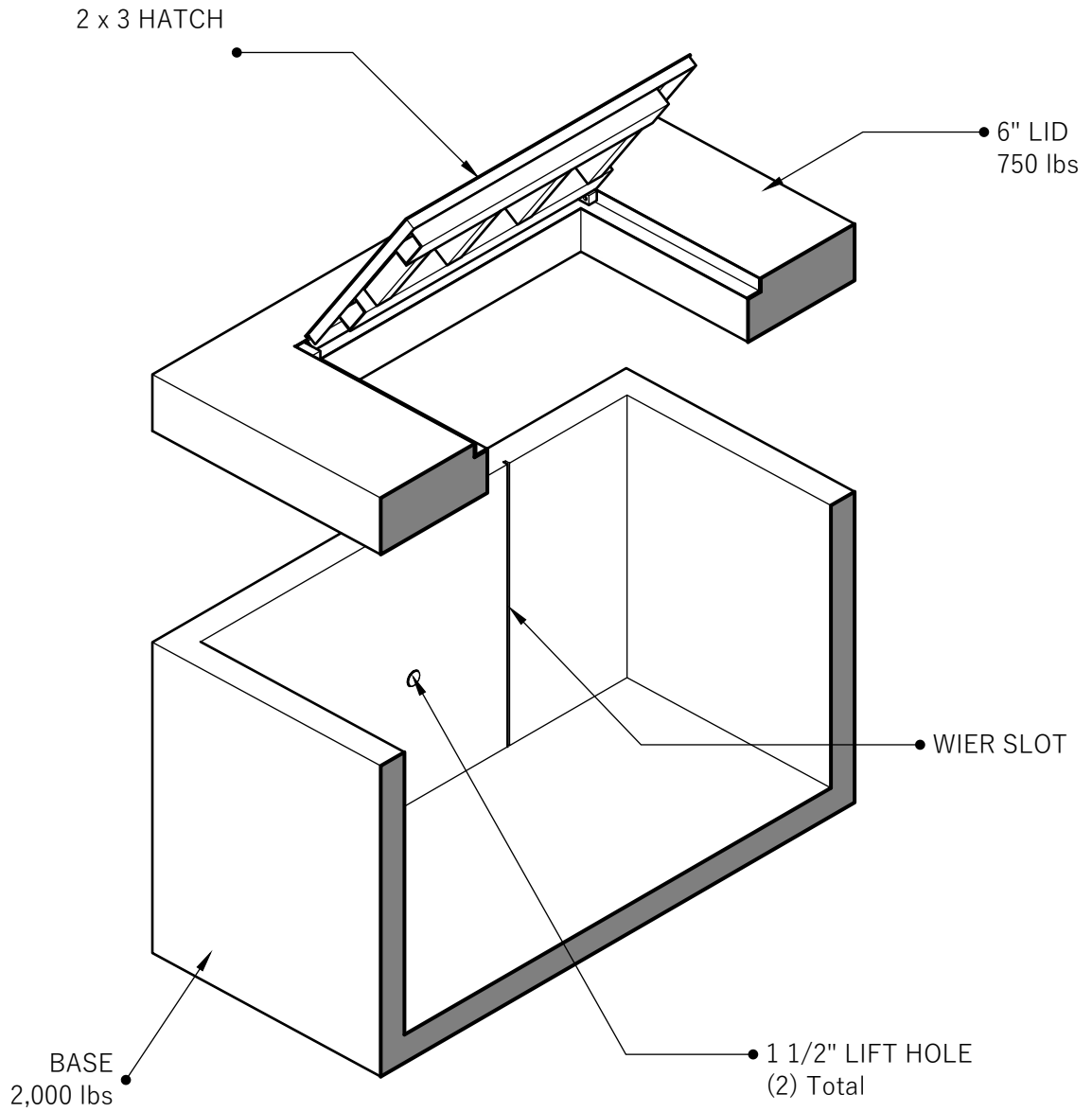


3050 - 2 x 3

SECTION AA



Customer:

Project:

Product: 3050 - 2 x 3

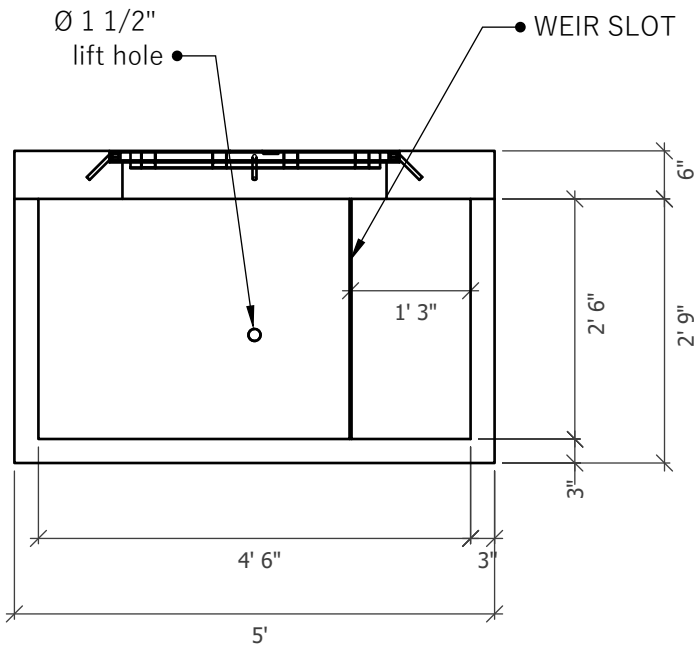
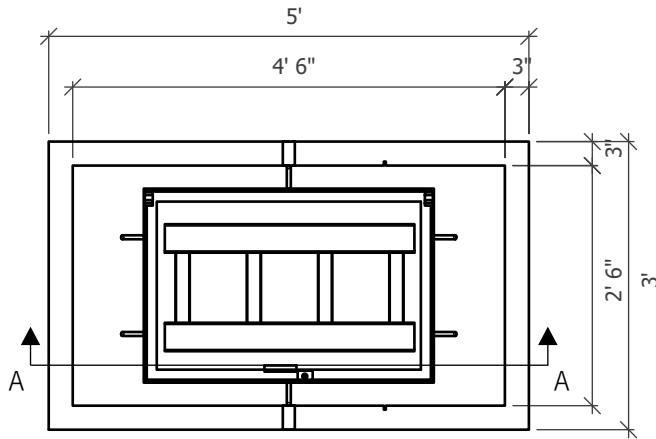


3050 - 2 x 3

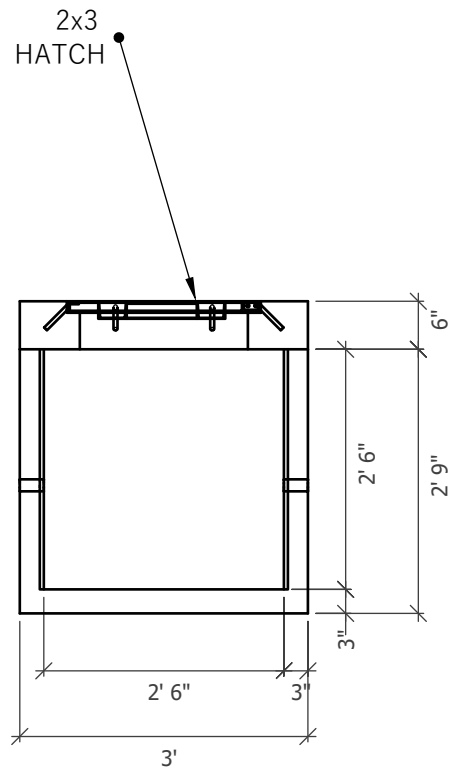
541-923-3272
1111 NE 11TH ST.
REDMOND, OR
97756

3050 - 2 x 3

PLAN VIEW



SIDE VIEW



END VIEW



3050 - 2 x 3

541-923-3272
1111 NE 11TH ST.
REDMOND, OR
97756