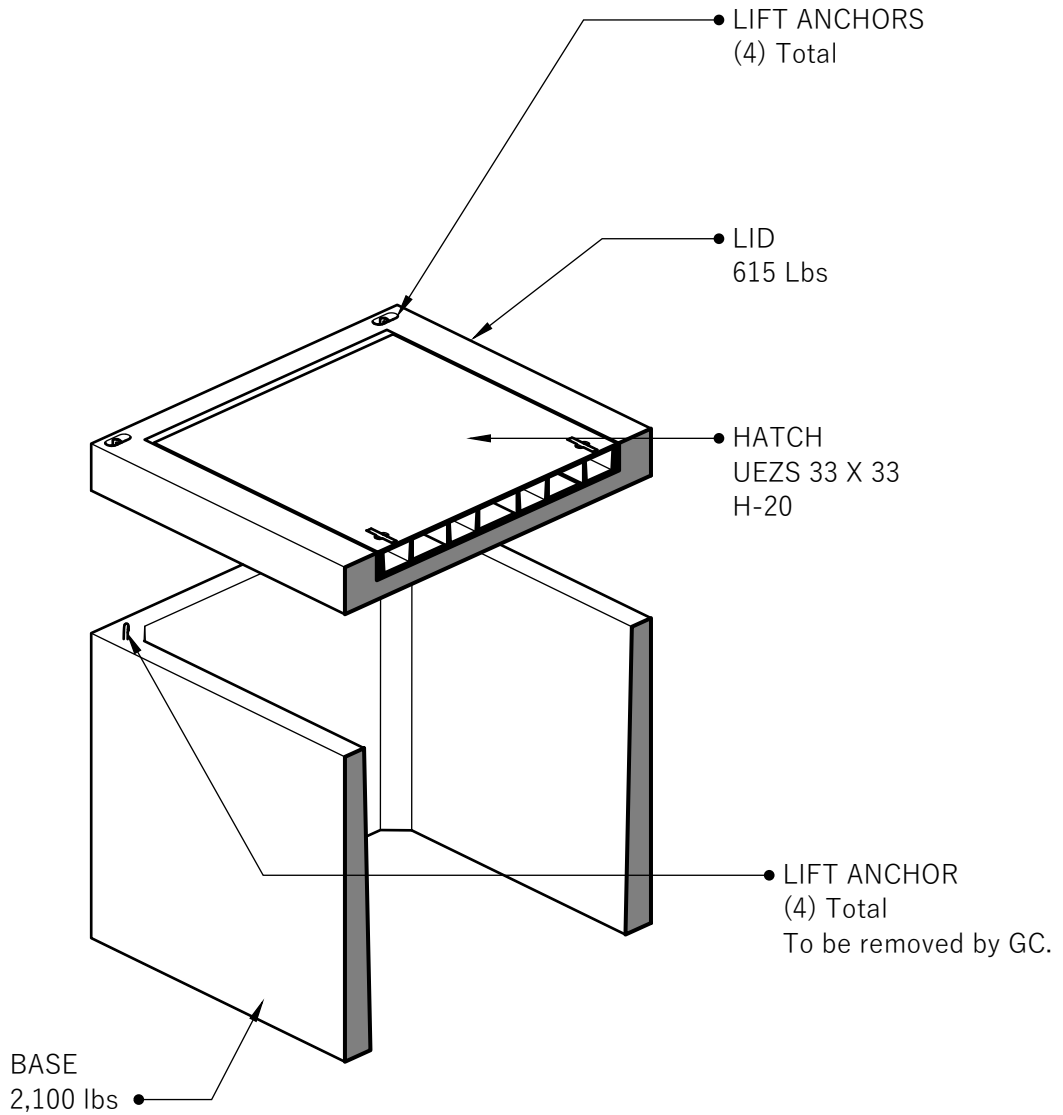


444 LA Open Bottom

SECTION AA



Notes:

- * Strut channel optional.
- * Duct terminators optional.
- * Hole coring available.
- * Knockout optional

Customer:

Project:

Product: 444 LA Open Bottom

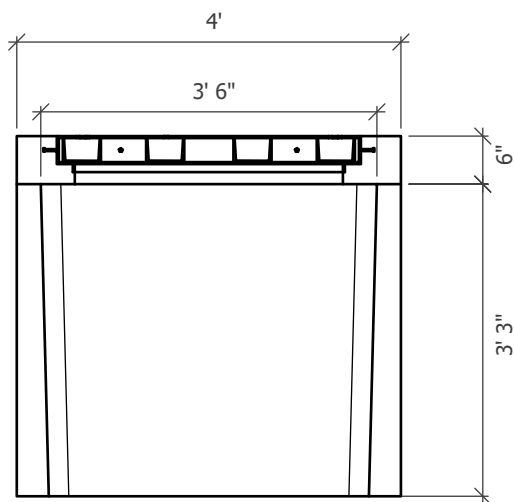
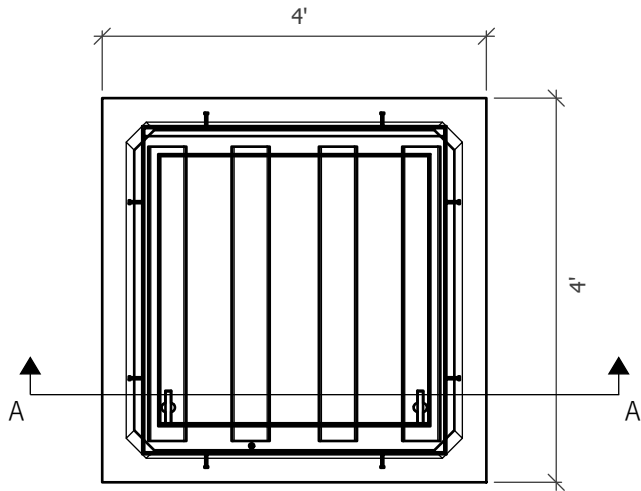


444 LA Open Bottom

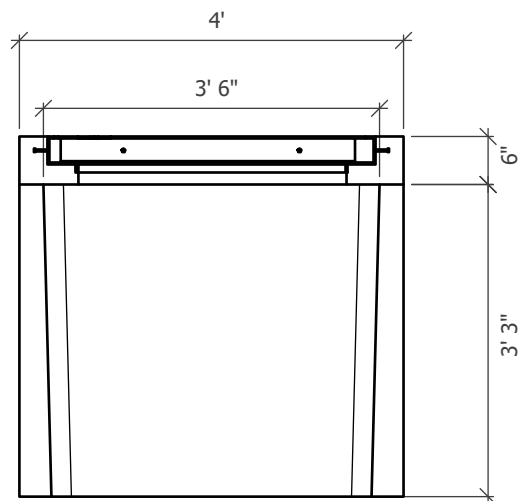
541-923-3272
 1111 NE 11TH ST.
 REDMOND, OR
 97756

444 LA Open Bottom

PLAN VIEW



SIDE VIEW



END VIEW



**444 LA Open
Bottom**

541-923-3272
1111 NE 11TH ST.
REDMOND, OR
97756