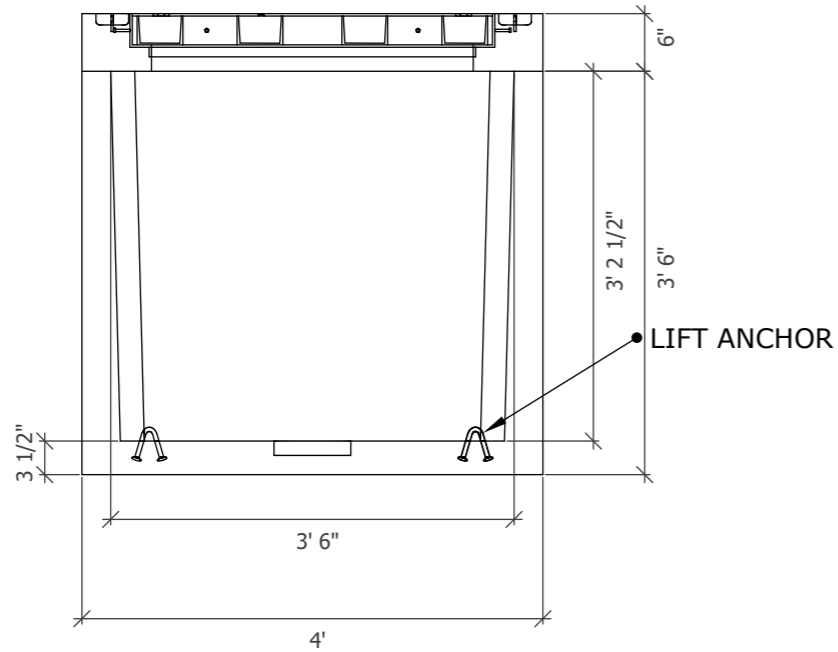
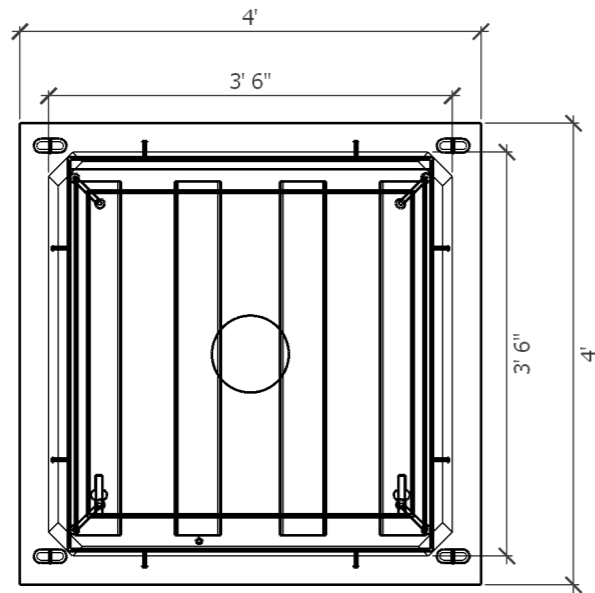


444 WA VAULT H20

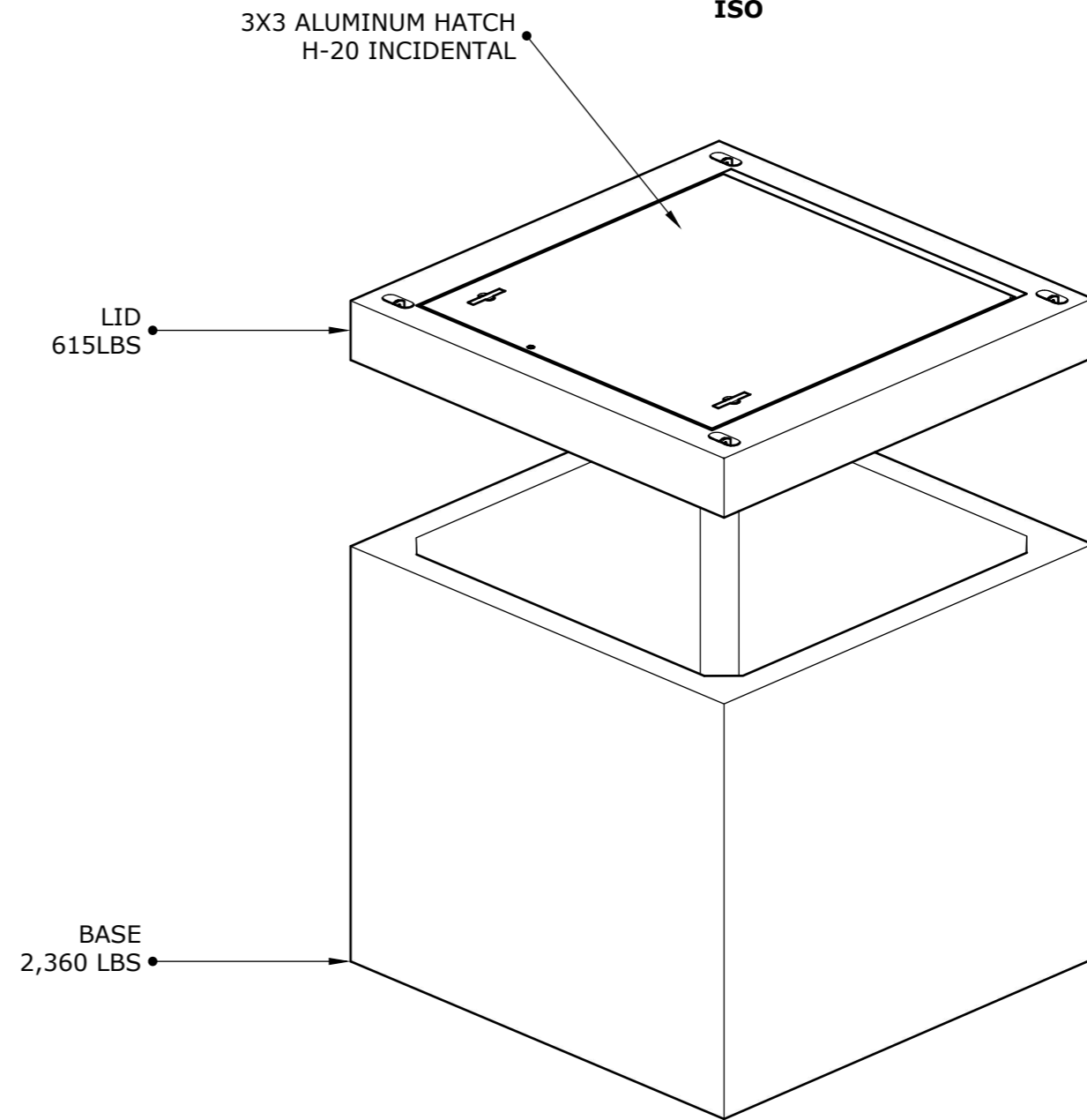
PROFILE



PLAN



ISO



1111 NE 11th St.
Redmond OR, 97756
541-923-3272

444 WA VAULT H20