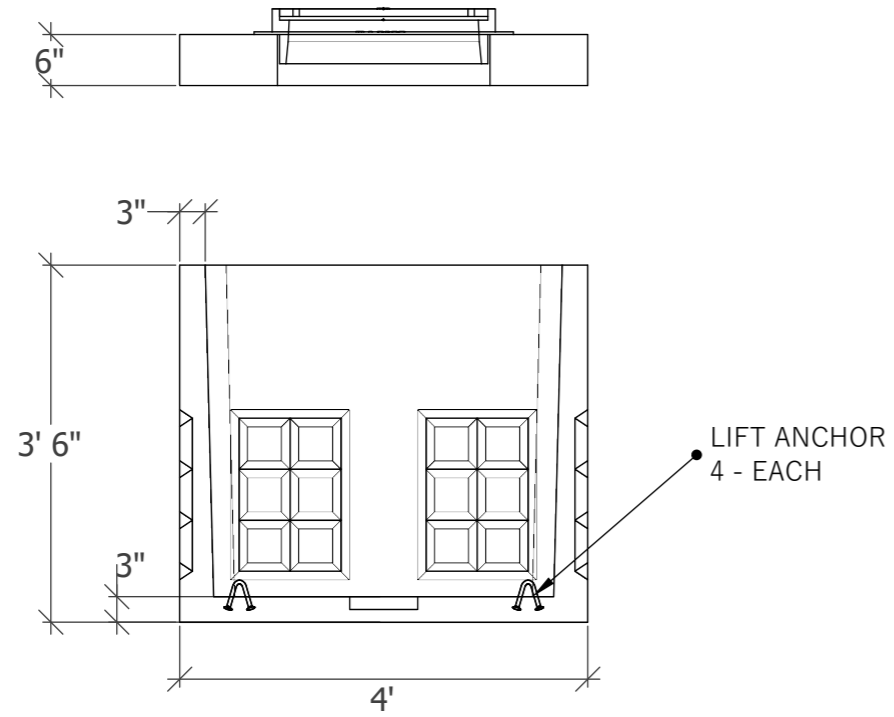


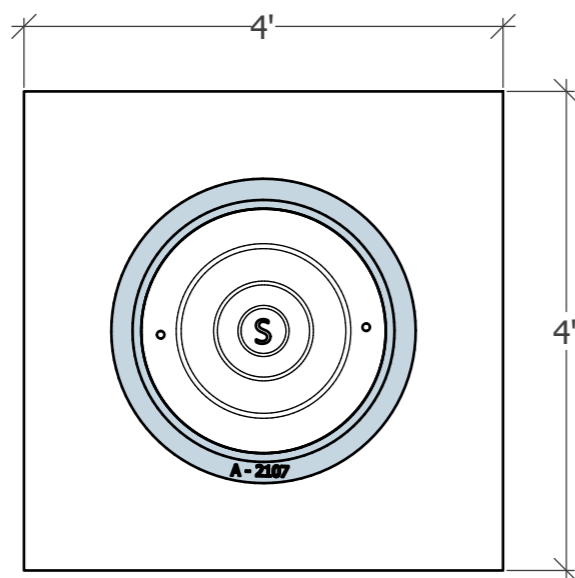
444 WA A-2017 F&C

ISO

PROFILE



PLAN

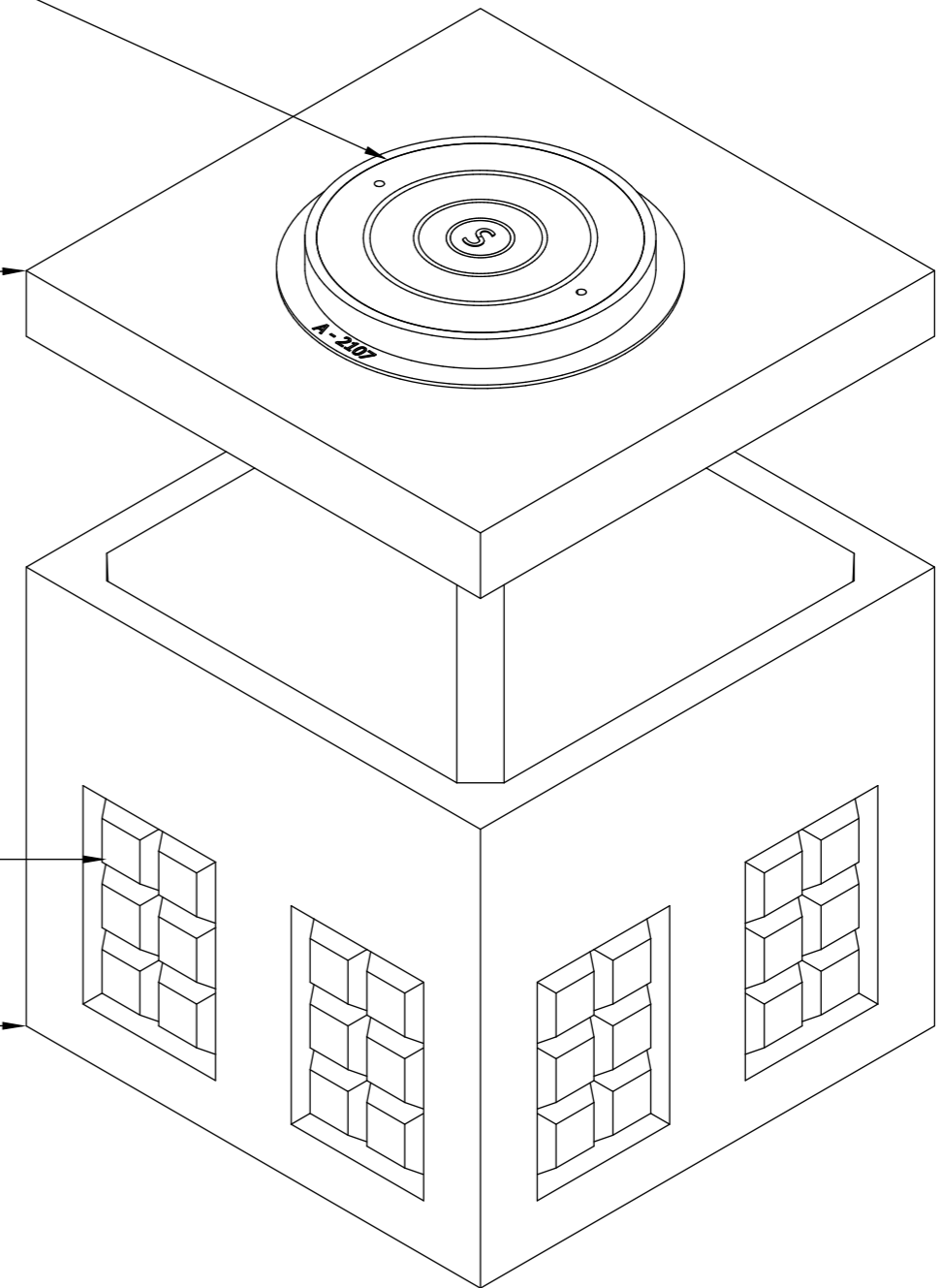


A-2107
FRAME & COVER

LID
615 LBS

14" x 28"
Knockout
OPTIONAL

BASE
2,360 LBS



1111 NE 11th St.
Redmond OR, 97756
541-923-3272

444 WA A-2017 F&C