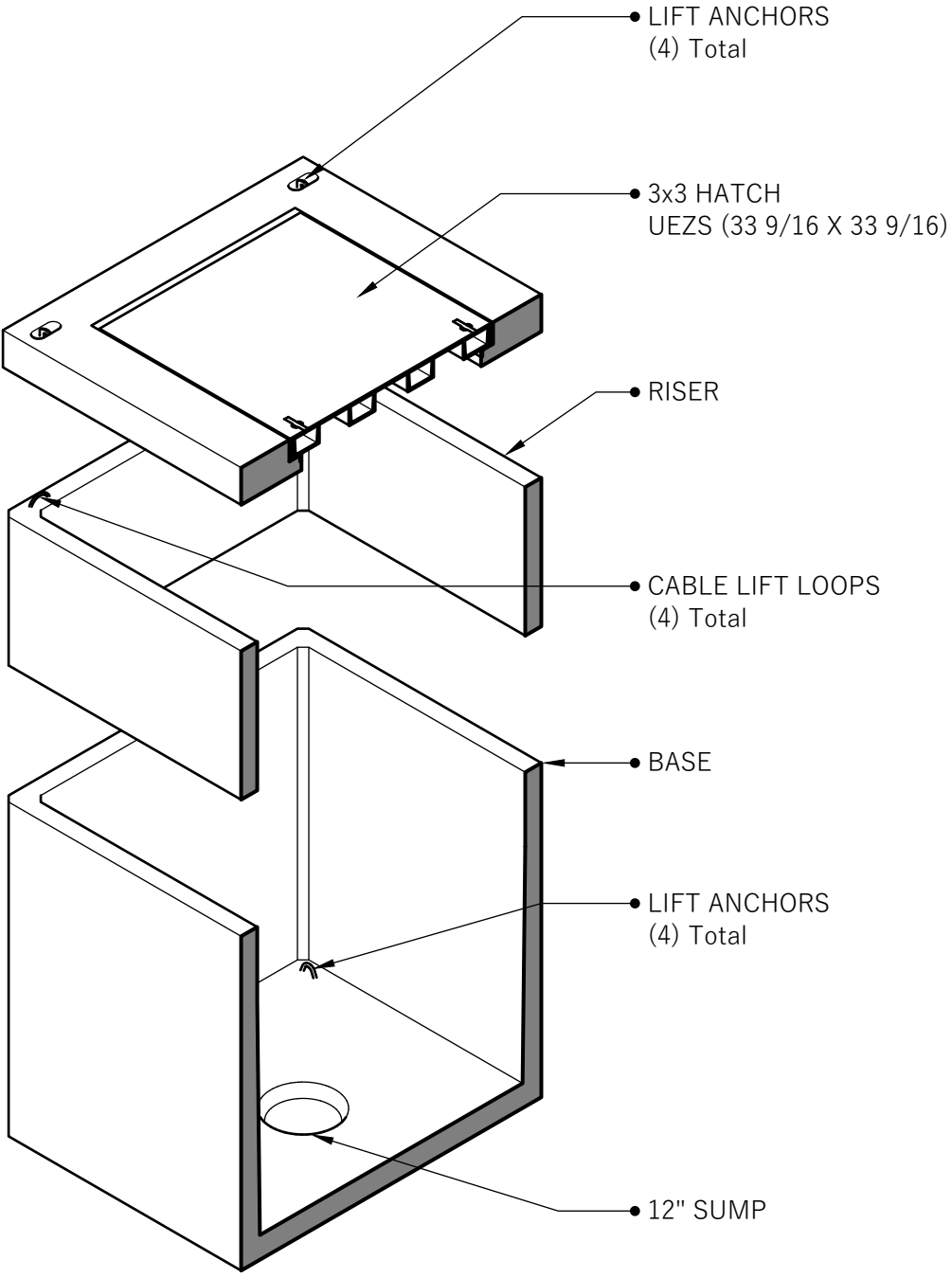


507 - 2 LA

ISO

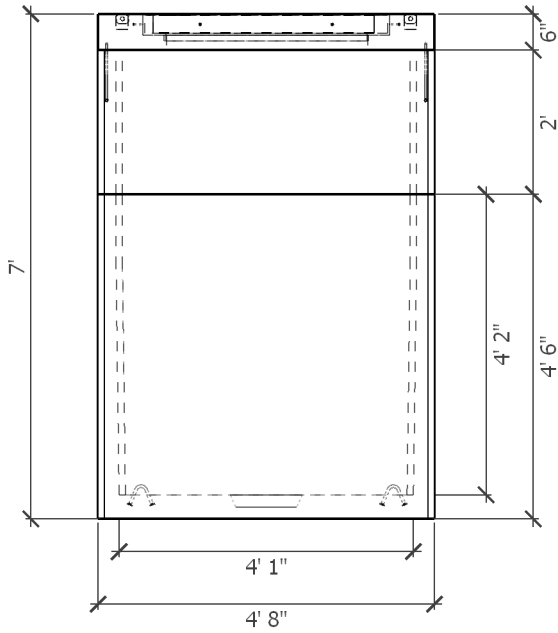
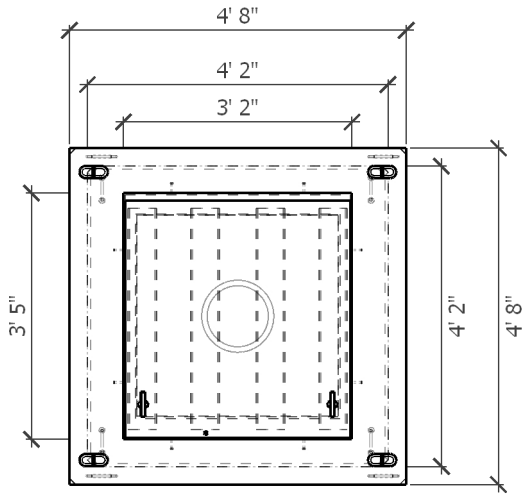


507 - 2 LA

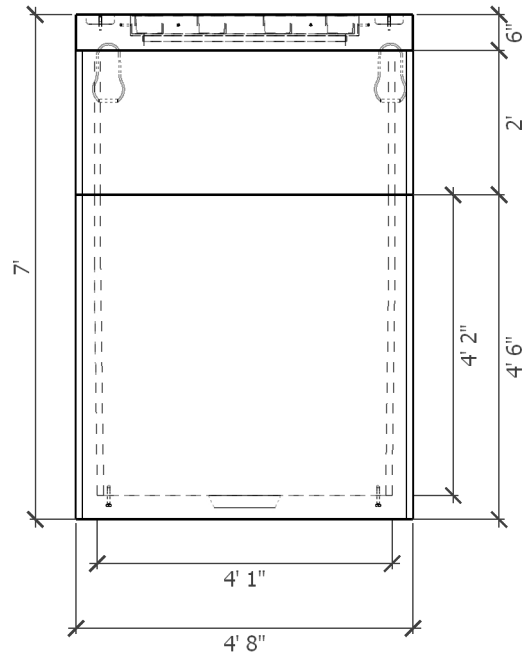
541-923-3272
1111 NE 11TH ST.
REDMOND, OR
97756

507 - 2 LA

TOP



SIDE



END

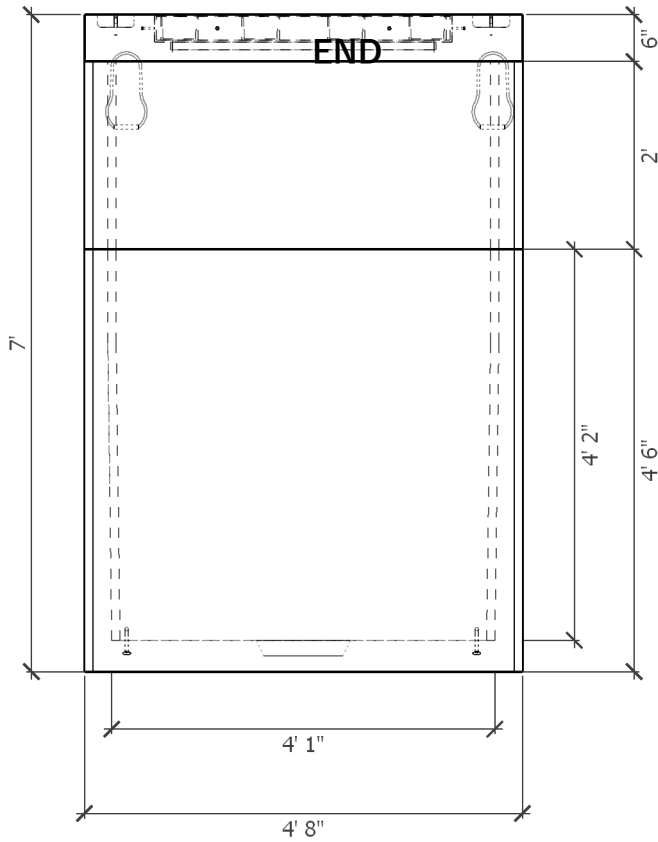
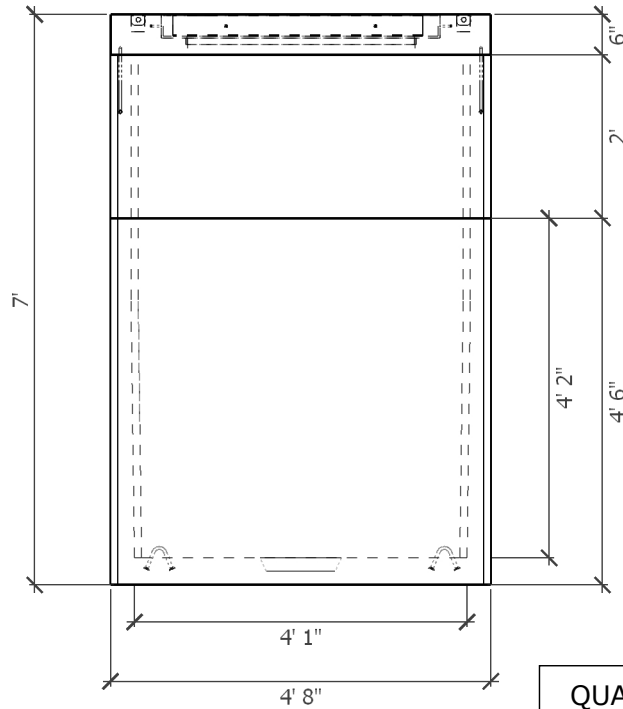


507 - 2 LA

541-923-3272
1111 NE 11TH ST.
REDMOND, OR
97756

SIDE

507 - 2 LA



QUALITY CONTROL CHECKLIST

Inspector: _____ Date _____

PRE-POUR

ITEM	INITIALS
Form Condition	
Form Cleanliness	
Design Width	
Design Length	
Design Height	
Form Release	
Blockouts	
Reinforcing Steel	
Termaduct Placement	
Lift Anchor Placement	
Top Finish	
Ground Insert Placement	
Concrete Sample Poured	
POST-POUR	
Mark Name/ Number	
Surface Texture	
Cracks or Spalls	
Exposed Reinforcement	
Lift Devices	
Blockouts	
Strut Channel	
Termaducts	
Ground Inserts	

Notes:

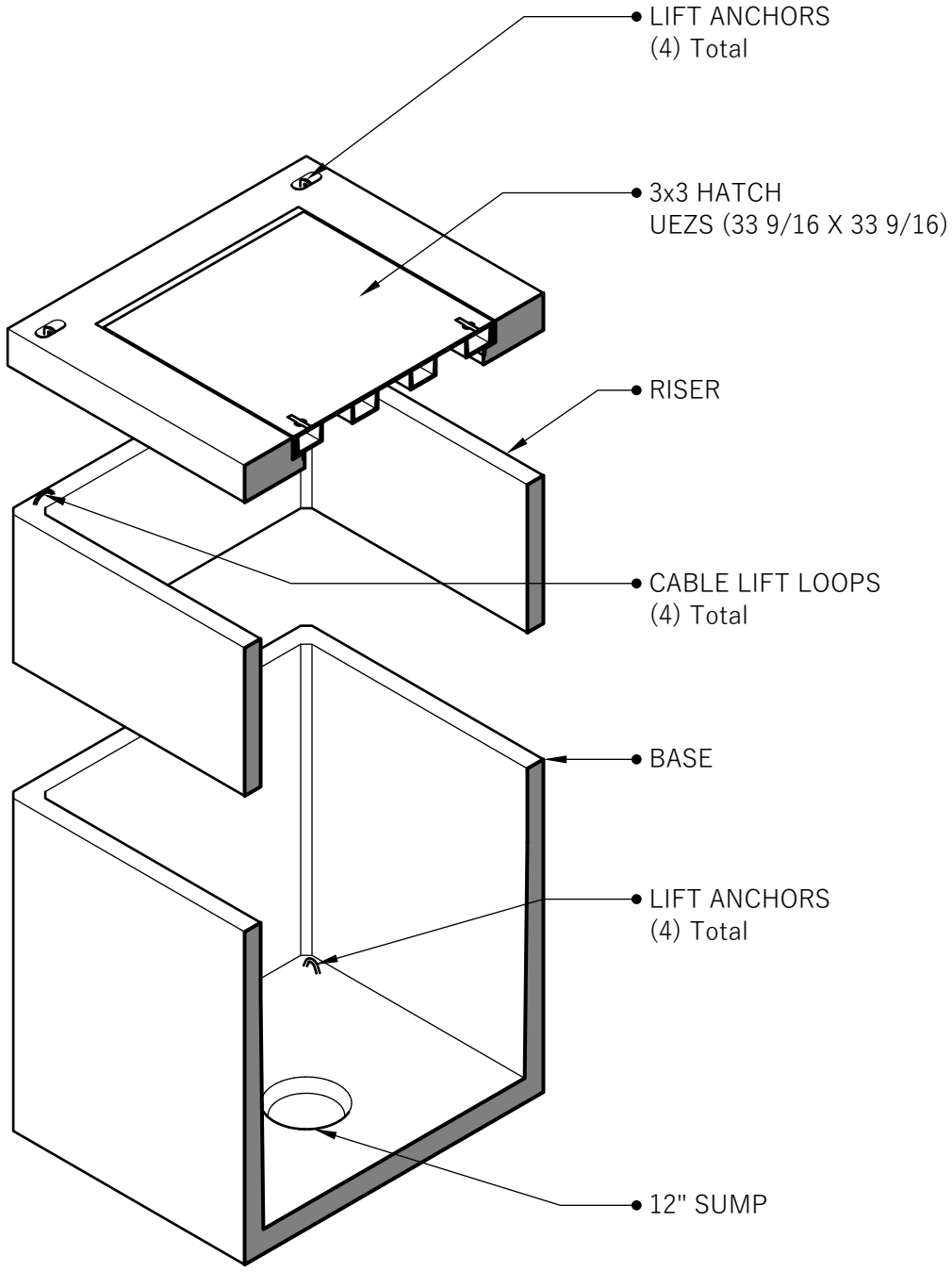


507 - 2 LA

541-923-3272
1111 NE 11TH ST.
REDMOND, OR
97756

507 - 2 LA

ISO



Customer:
Project:
Product:



507 - 2 LA

541-923-3272
1111 NE 11TH ST.
REDMOND, OR
97756