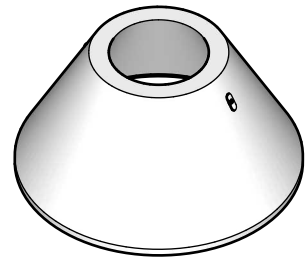
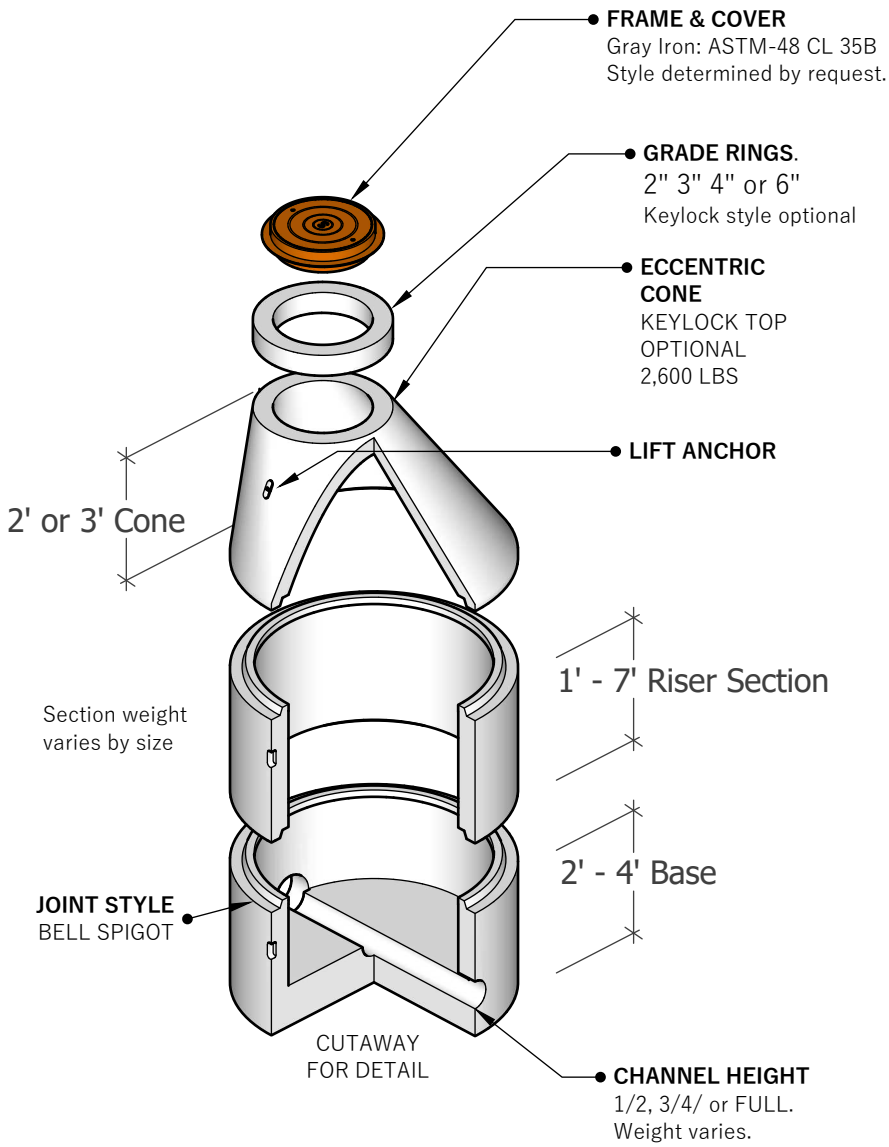
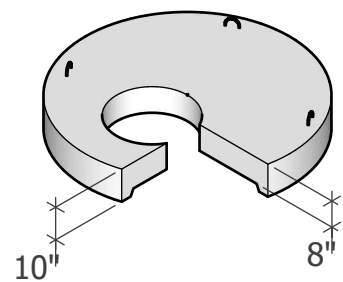


# 60" Manhole Material



**CONCENTRIC CONE**  
 KEYLOCK TOP OPTIONAL  
 2,600 lbs



**FLAT TOP**  
 ECCENTRIC OR CONCENTRIC  
 KEY LOCK TOP OPTIONAL.

## 60" Manhole Material

- Steps optional
- ConSeal CS-102 optional
- Holes cored as required
- Boot connector optional
- Channeled bases optional



1111 NE 11th St.  
 Redmond OR, 97756  
 541-923-3272