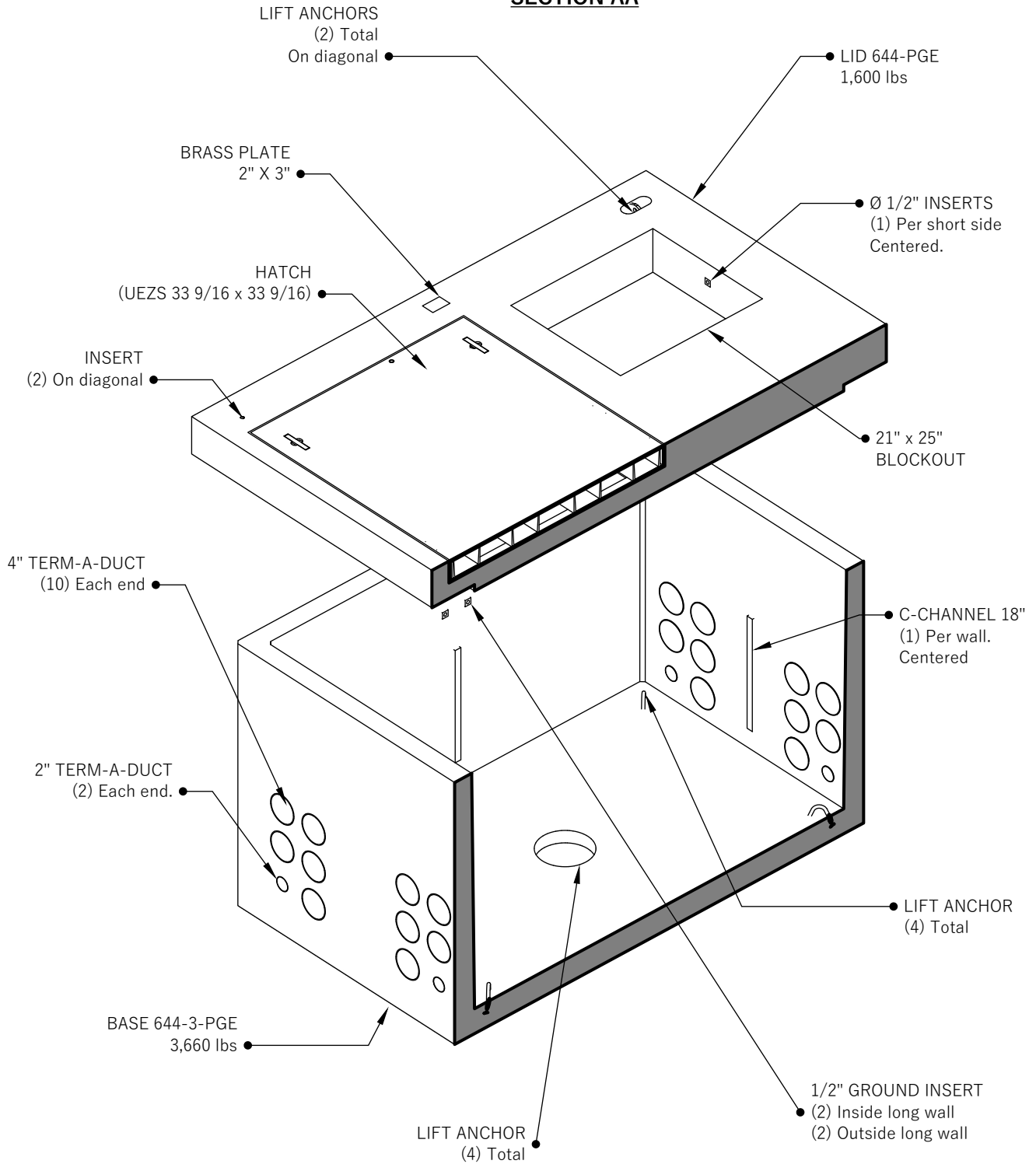


644-4-PGE

SECTION AA

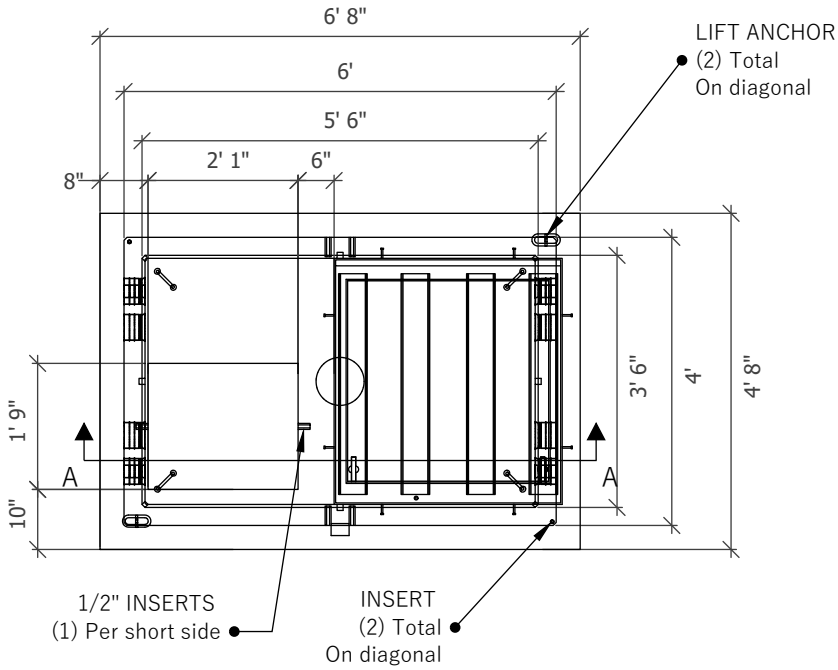


644-4-PGE

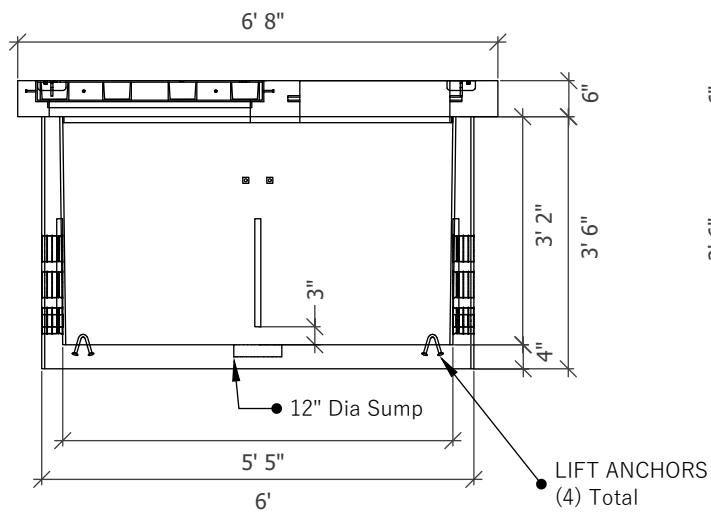
541-923-3272
1111 NE 11TH ST.
REDMOND, OR
97756

644-4-PGE

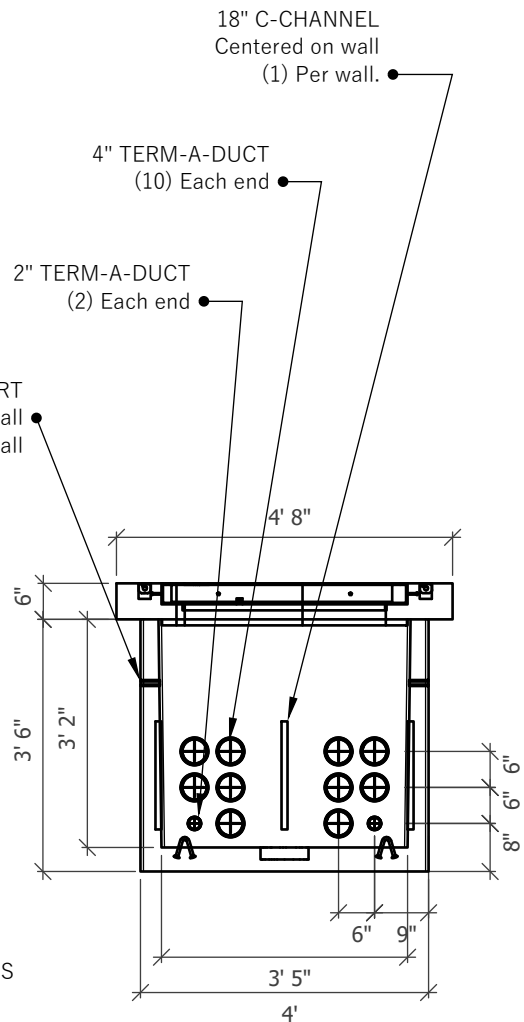
PLAN VIEW



SIDE VIEW



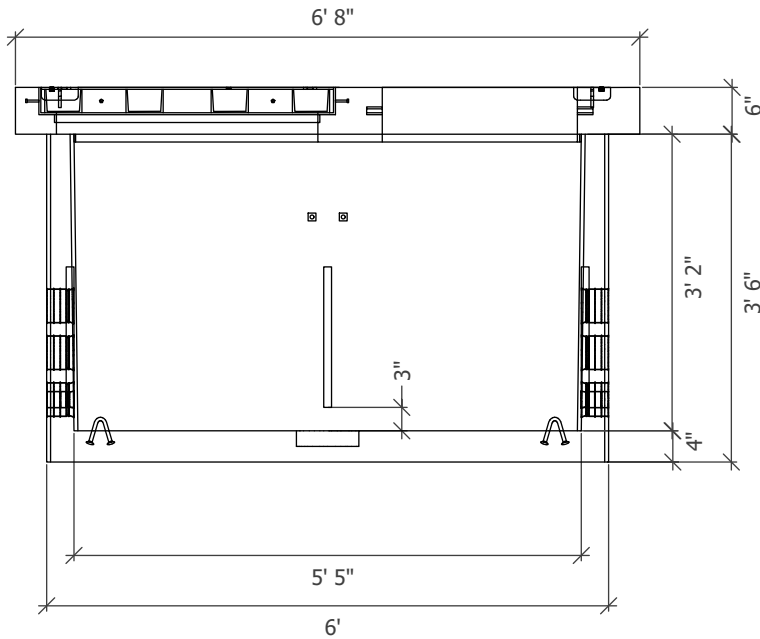
END VIEW



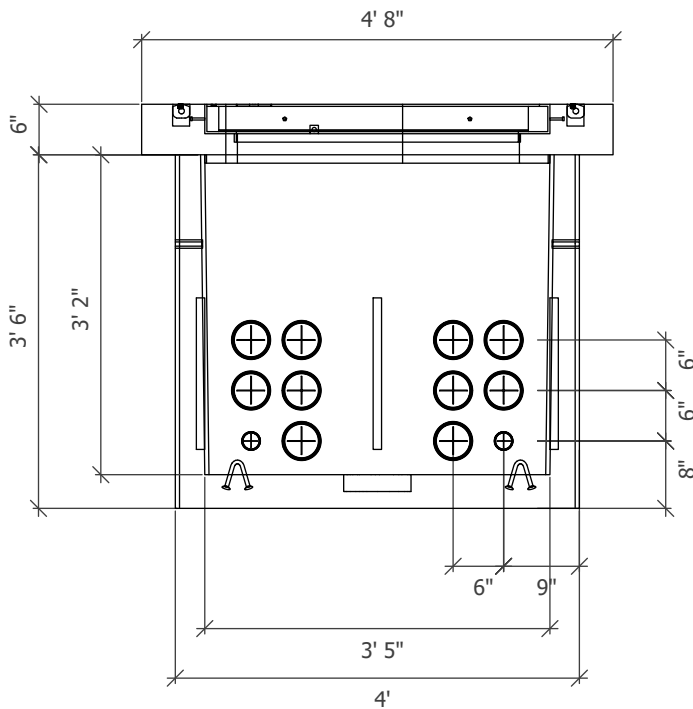
644-4-PGE

541-923-3272
1111 NE 11TH ST.
REDMOND, OR
97756

SIDE VIEW



END VIEW



644-4-PGE

QUALITY CONTROL CHECKLIST

INSPECTOR		DATE	
PRE-POUR			
ITEM		INITIALS	
Form Condition			
Form Cleanliness			
Design Width			
Design Length			
Design Height			
Form Release			
Blockouts			
Reinforcing Steel			
Termaduct Placement			
Lift Anchor Placement			
Top Finish			
Ground Insert Placement			
Concrete Sample Poured			
POST-POUR			
Mark Name/ Number			
Surface Texture			
Cracks or Spalls			
Exposed Reinforcement			
Lift Devices			
Blockouts			
Strut Channel			
Termaducts			
Ground Inserts			
Notes:			

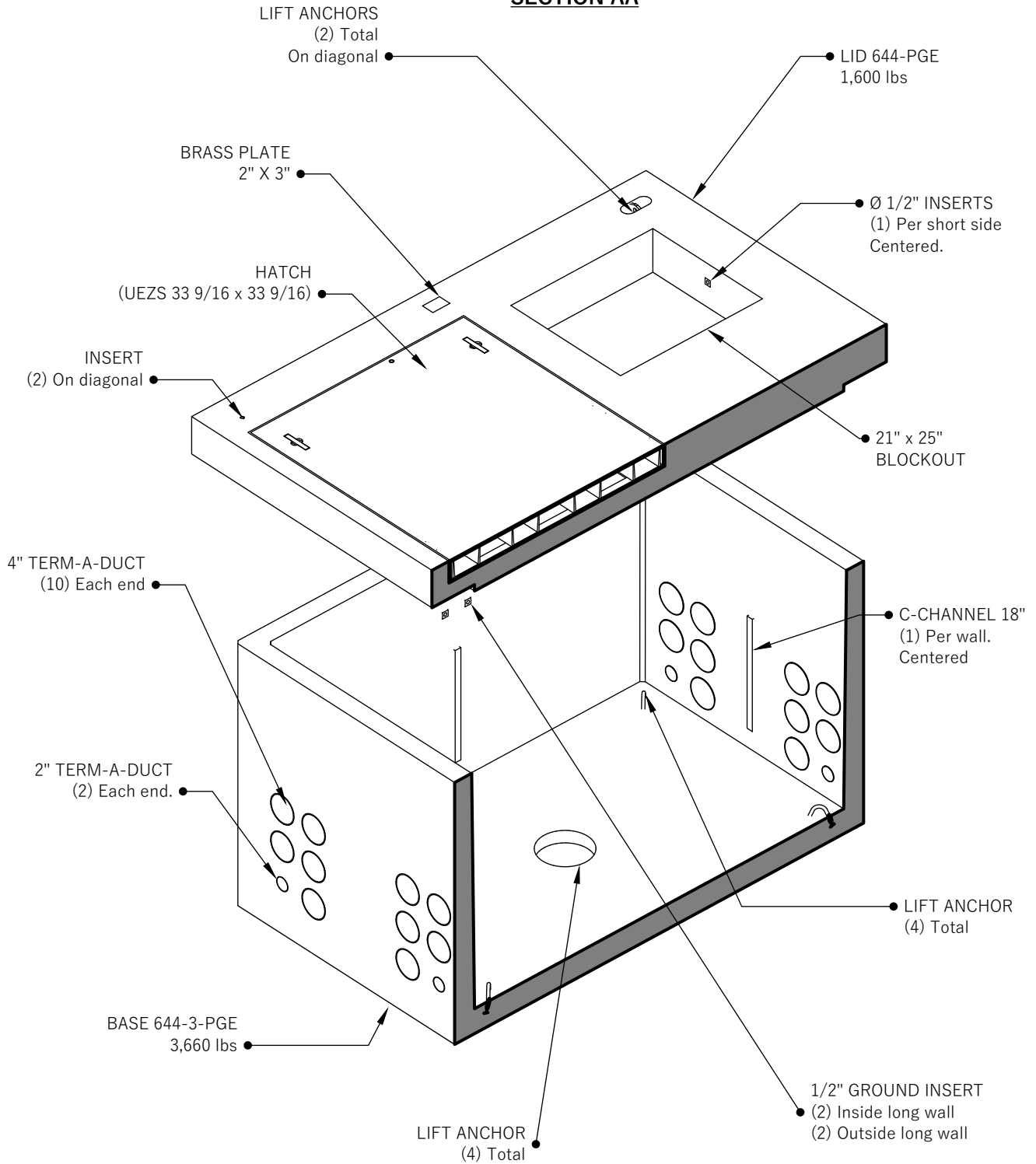


644-4-PGE

541-923-3272
 1111 NE 11TH ST.
 REDMOND, OR
 97756

644-4-PGE

SECTION AA



Customer:
Project:
Product:



644-4-PGE

541-923-3272
 1111 NE 11TH ST.
 REDMOND, OR
 97756