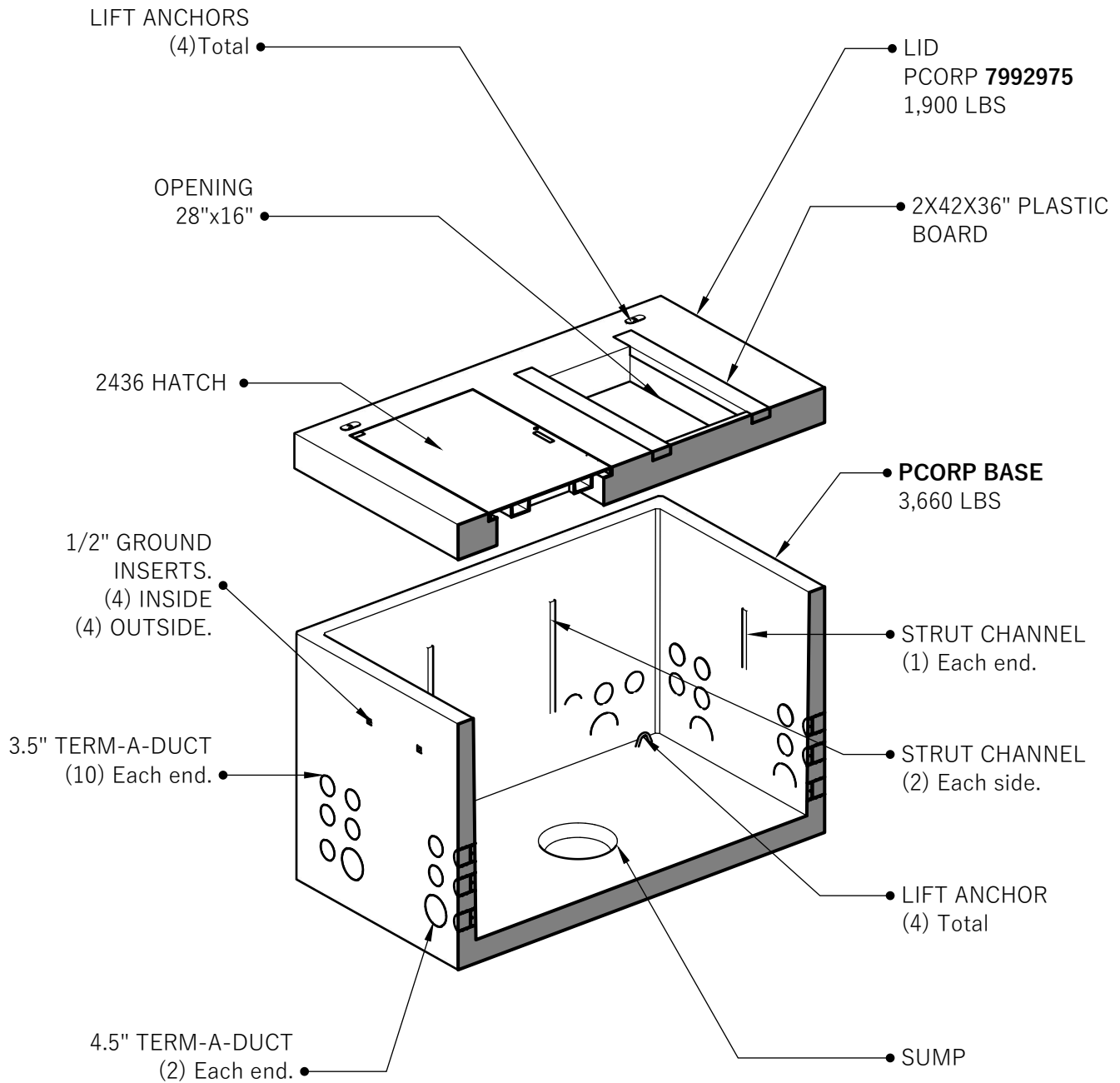


SECTION AA



Customer:

Project:

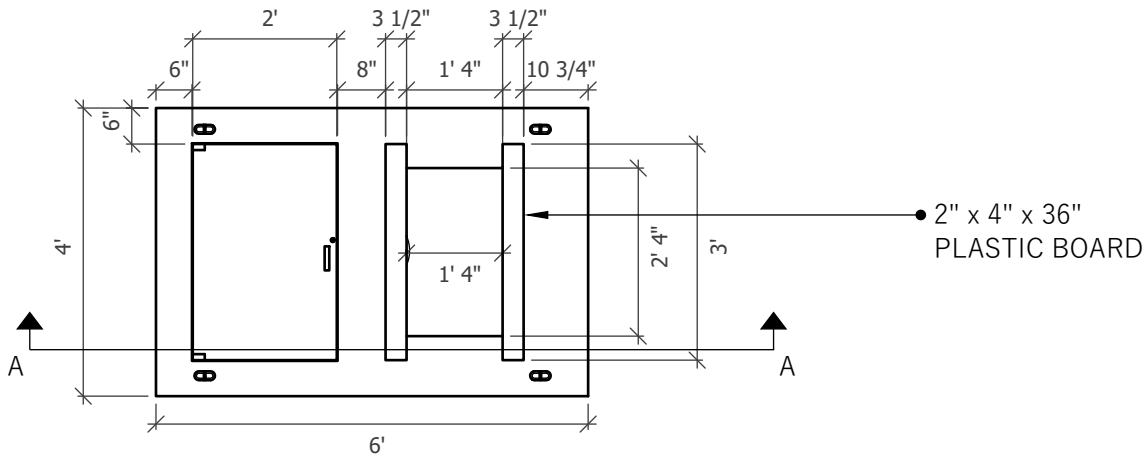
Product: 644-Pcorp -7992975



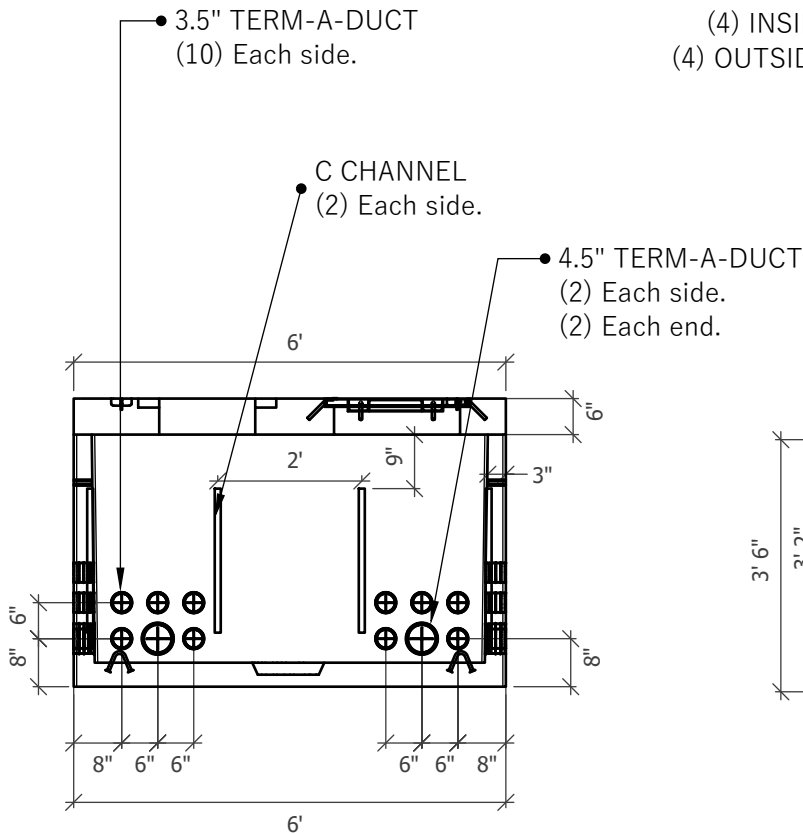
644-Pcorp -
7992975

541-923-3272
1111 NE 11TH ST.
REDMOND, OR
97756

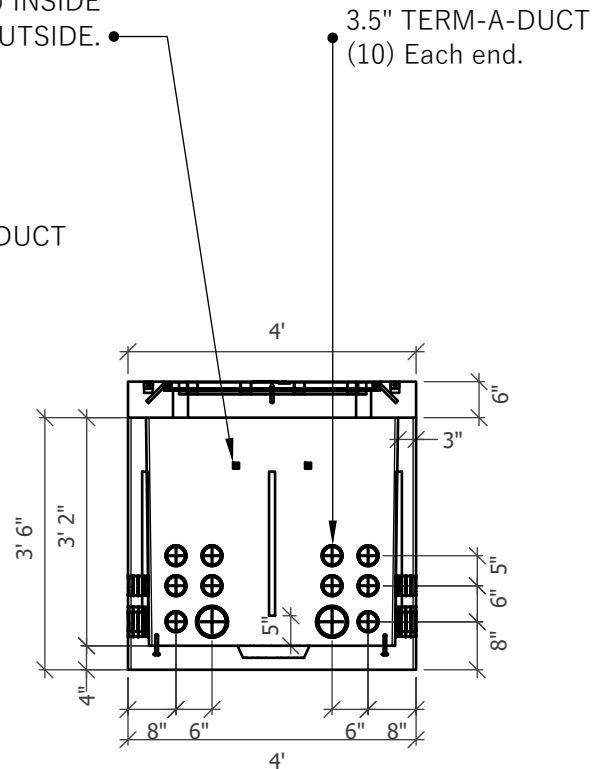
PLAN VIEW



1/2" GROUND
INSERTS.
(4) INSIDE
(4) OUTSIDE.



SIDE VIEW



END VIEW



644-Pcorp -
7992975

541-923-3272
1111 NE 11TH ST.
REDMOND, OR
97756