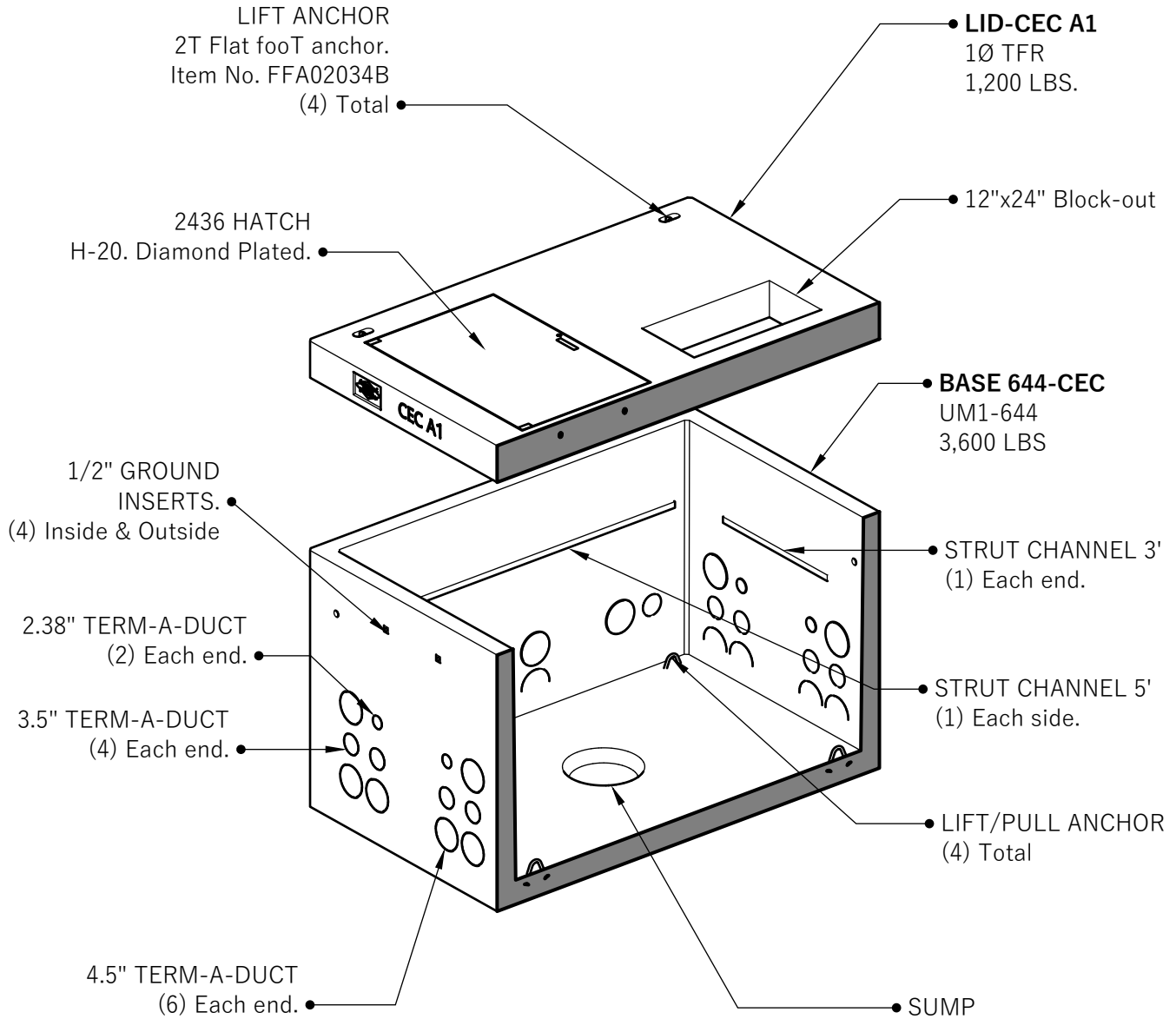


# 644-CEC-A1

## SECTION AA



Customer:

Project:

Product: 644-CEC-A1

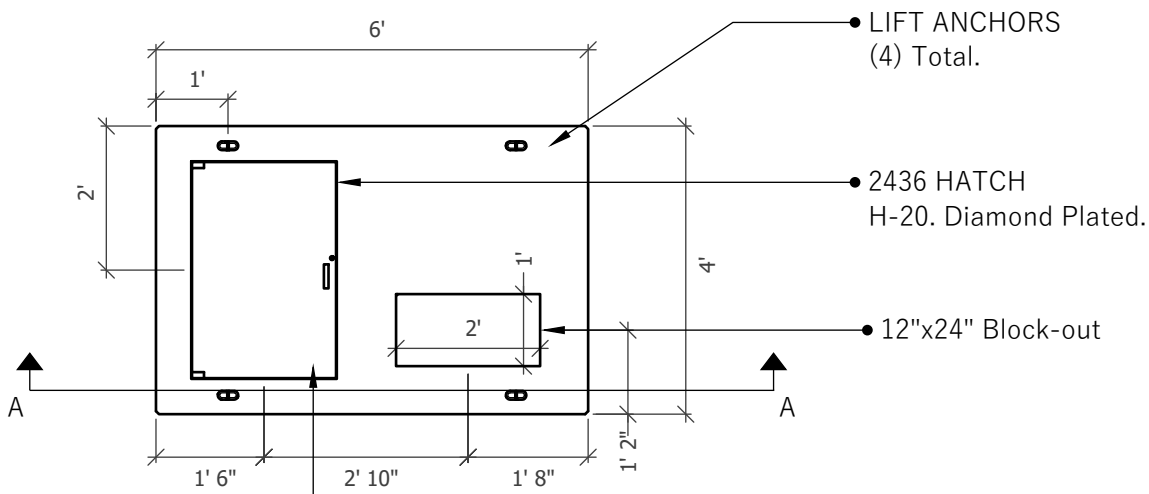


# 644-CEC-A1

541-923-3272  
1111 NE 11TH ST.  
REDMOND, OR  
97756

# 644-CEC-A1

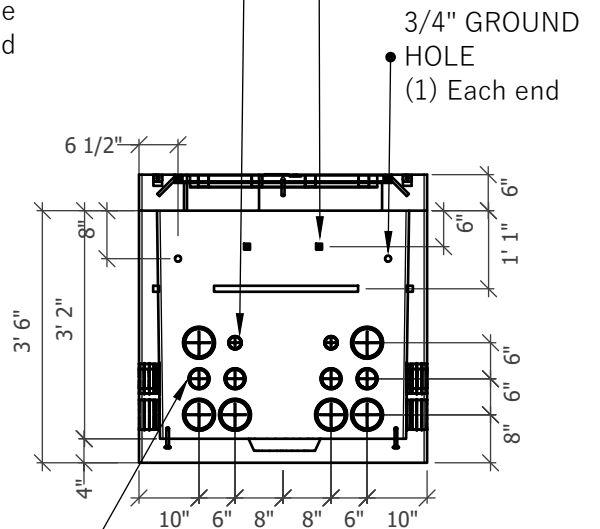
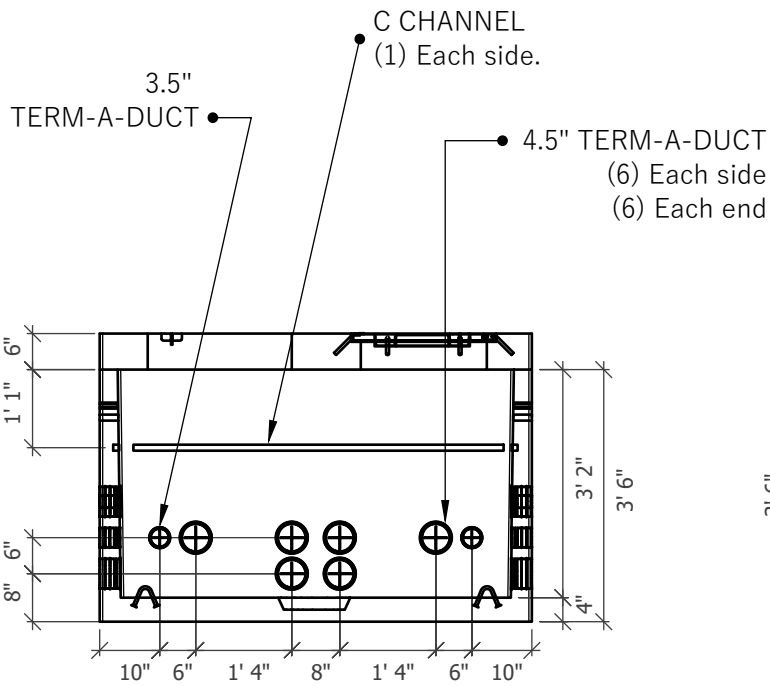
## PLAN VIEW



2436 HATCH  
H-20.  
Diamond Plated.

2.38" TERM-A-DUCT  
(2) Each end.

1/2" GROUND  
INSERT  
(2) Each end  
Inside & out.



3.5" TERM-A-DUCT  
(4) Each end.

## SIDE VIEW

## END VIEW



# 644-CEC-A1

541-923-3272  
1111 NE 11TH ST.  
REDMOND, OR  
97756