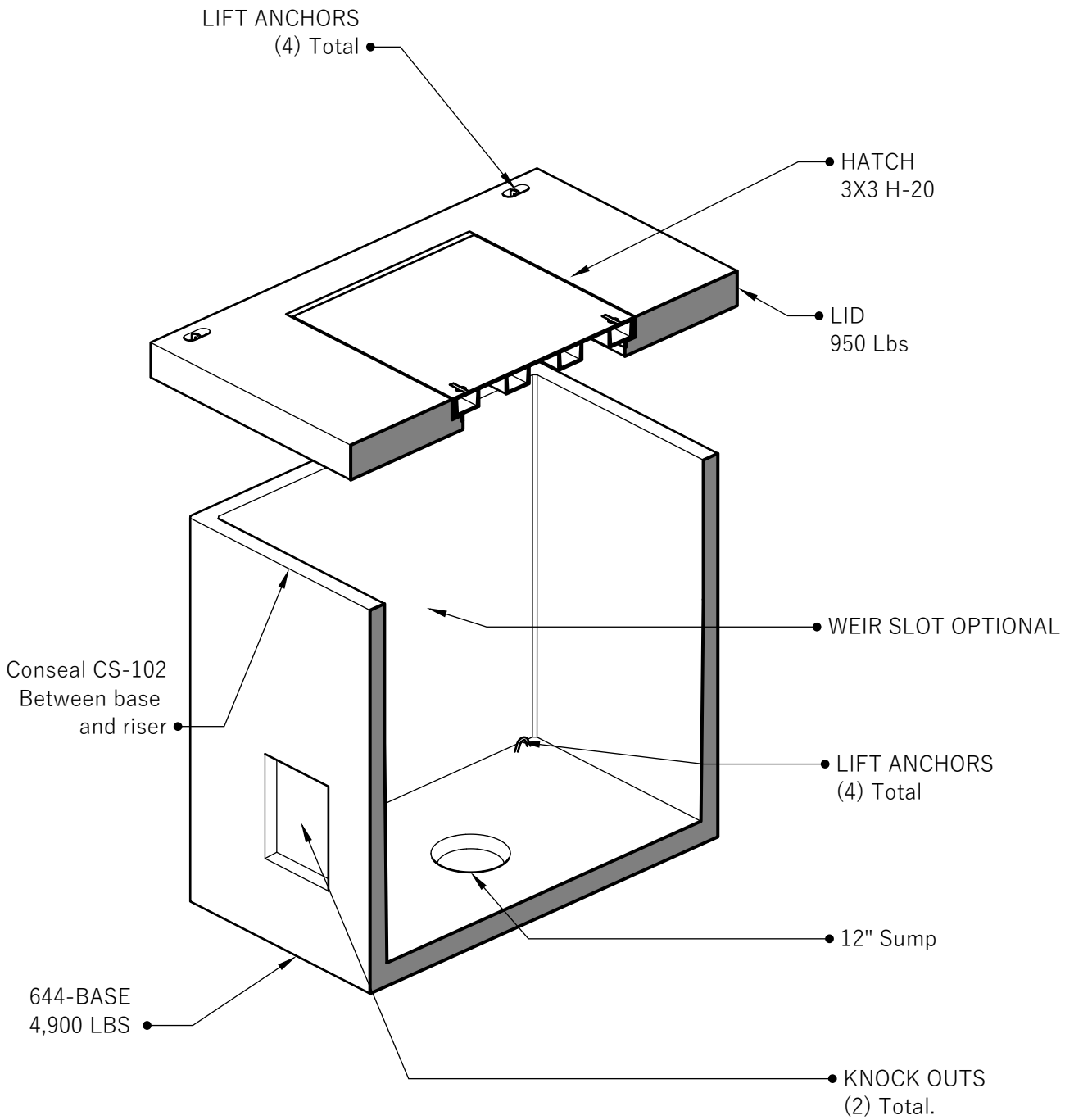


660 LA - 3x3

SECTION AA



Customer:
Project:
Product:

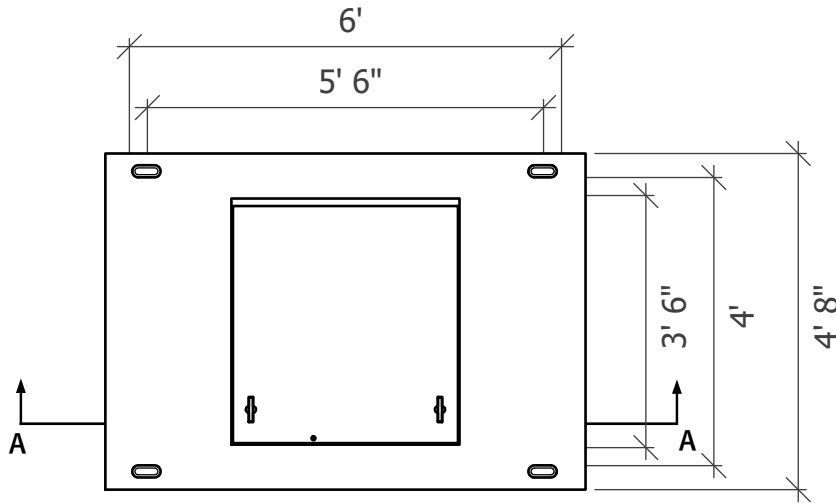


660 LA - 3x3

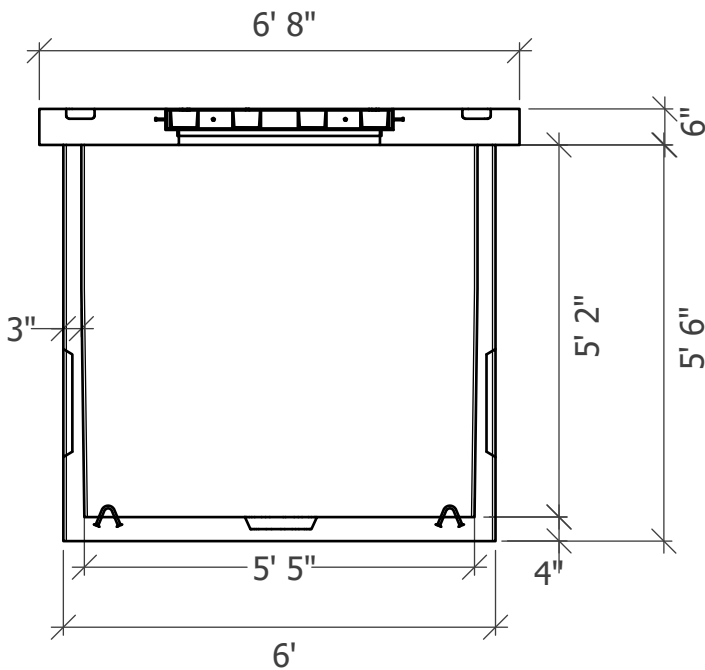
541-923-3272
1111 NE 11TH ST.
REDMOND, OR
97756

660 LA - 3x3

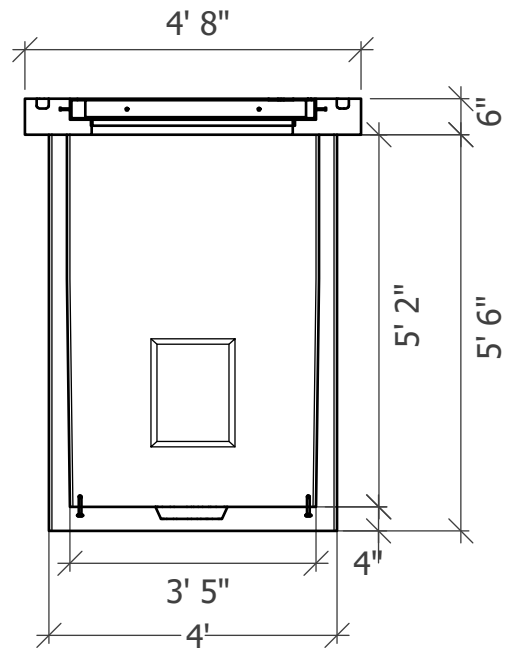
PLAN VIEW



SIDE VIEW



END VIEW



Customer:

Project:

Product:

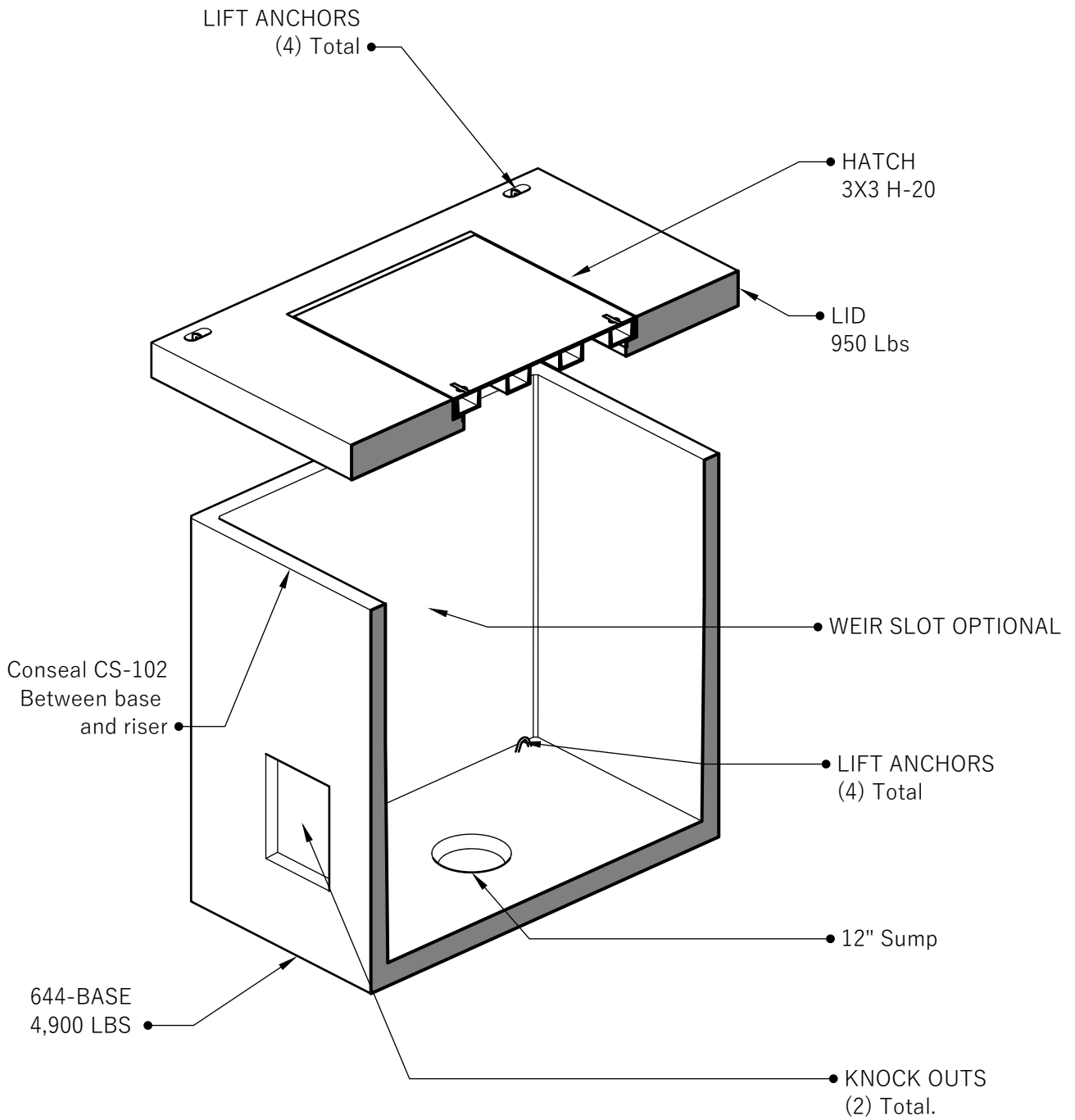


660 LA - 3x3

541-923-3272
1111 NE 11TH ST.
REDMOND, OR
97756

660 LA - 3x3

SECTION AA



Customer:
Project:
Product:



660 LA - 3x3

541-923-3272
1111 NE 11TH ST.
REDMOND, OR
97756