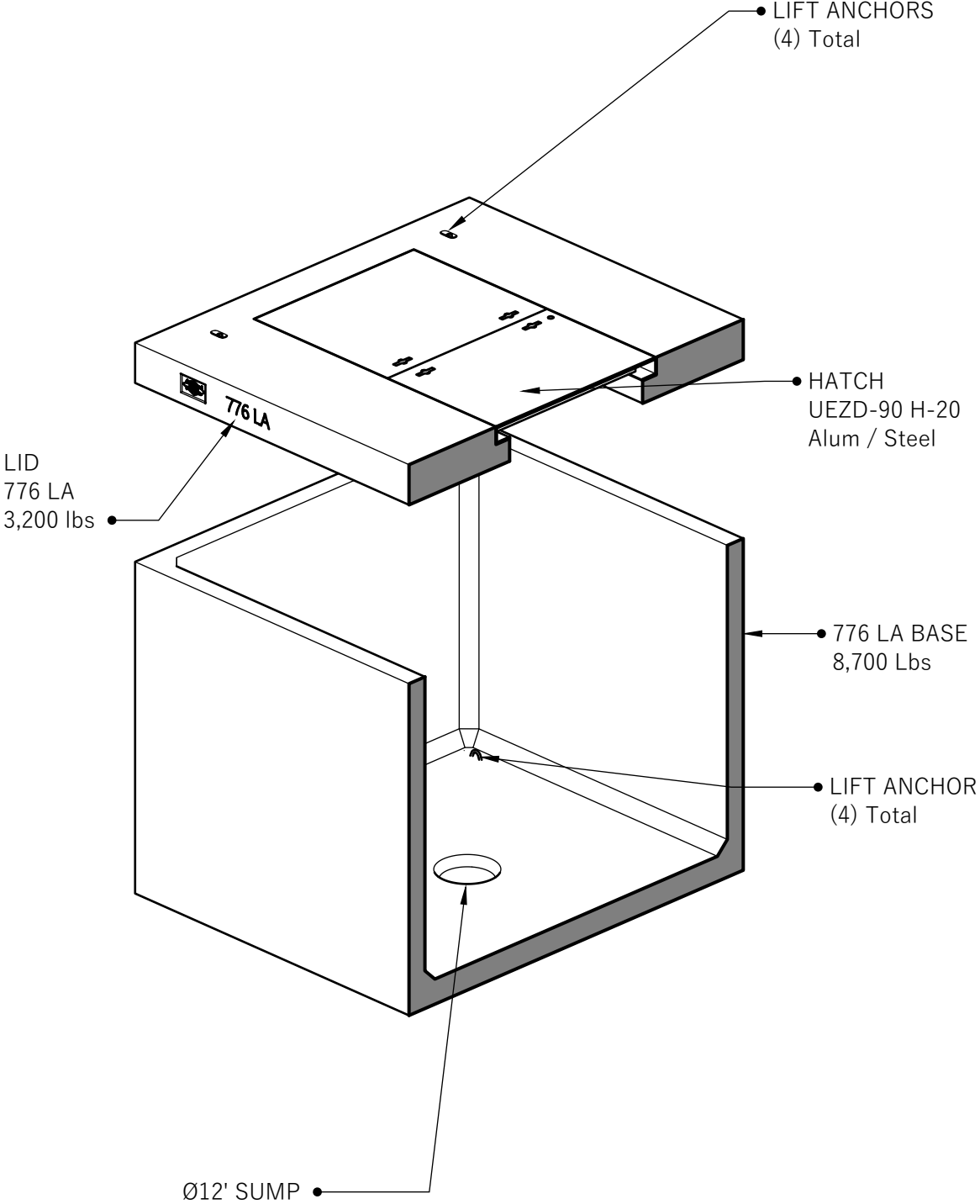


776 LA 3x5

SECTION AA



Customer:
Project:
Product: 776 LA 3x5

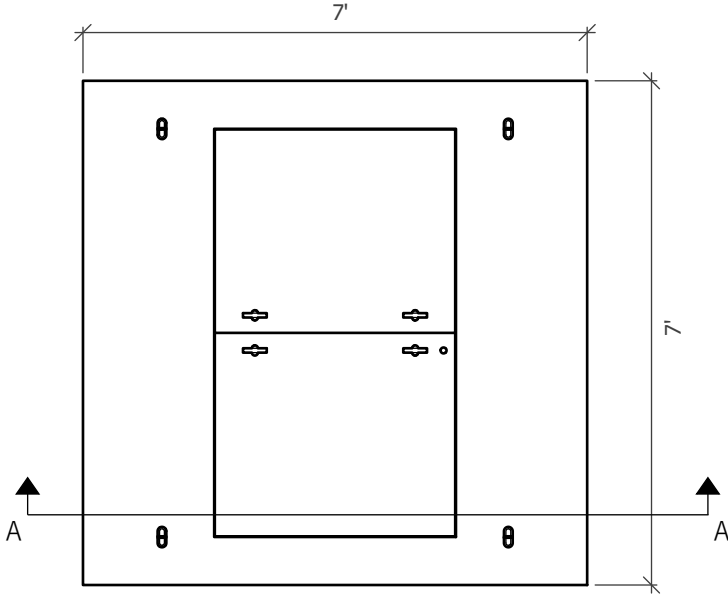


776 LA 3x5

541-923-3272
1111 NE 11TH ST.
REDMOND, OR
97756

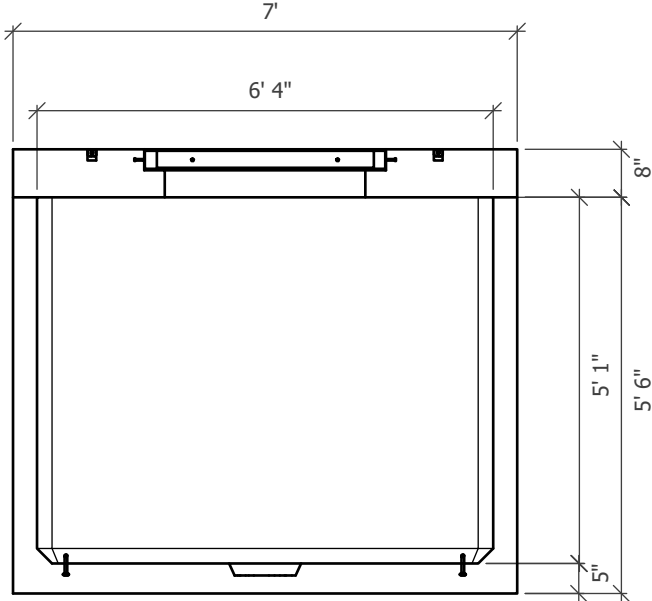
776 LA 3x5

PLAN VIEW

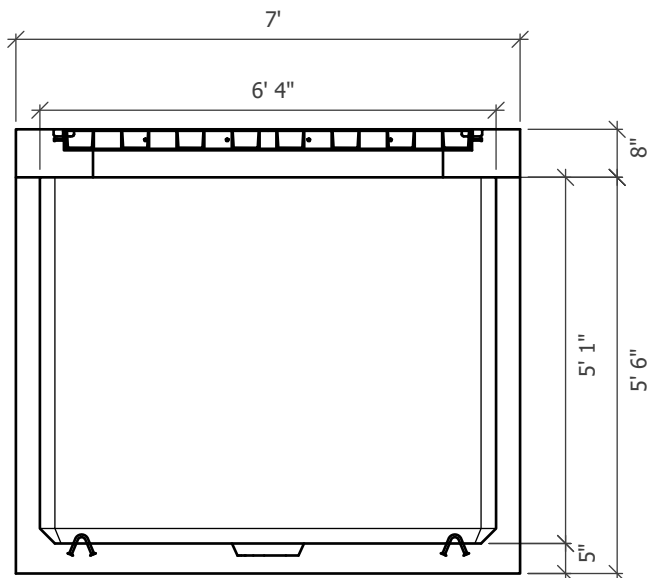


- Notes:**
- * Strut channel optional.
 - * Duct terminators optional.
 - * Hole coring available.
 - * Knockout optional

SIDE VIEW



END VIEW



Customer:
Project:
Product: 776 LA 3x5



776 LA 3x5

541-923-3272
 1111 NE 11TH ST.
 REDMOND, OR
 97756