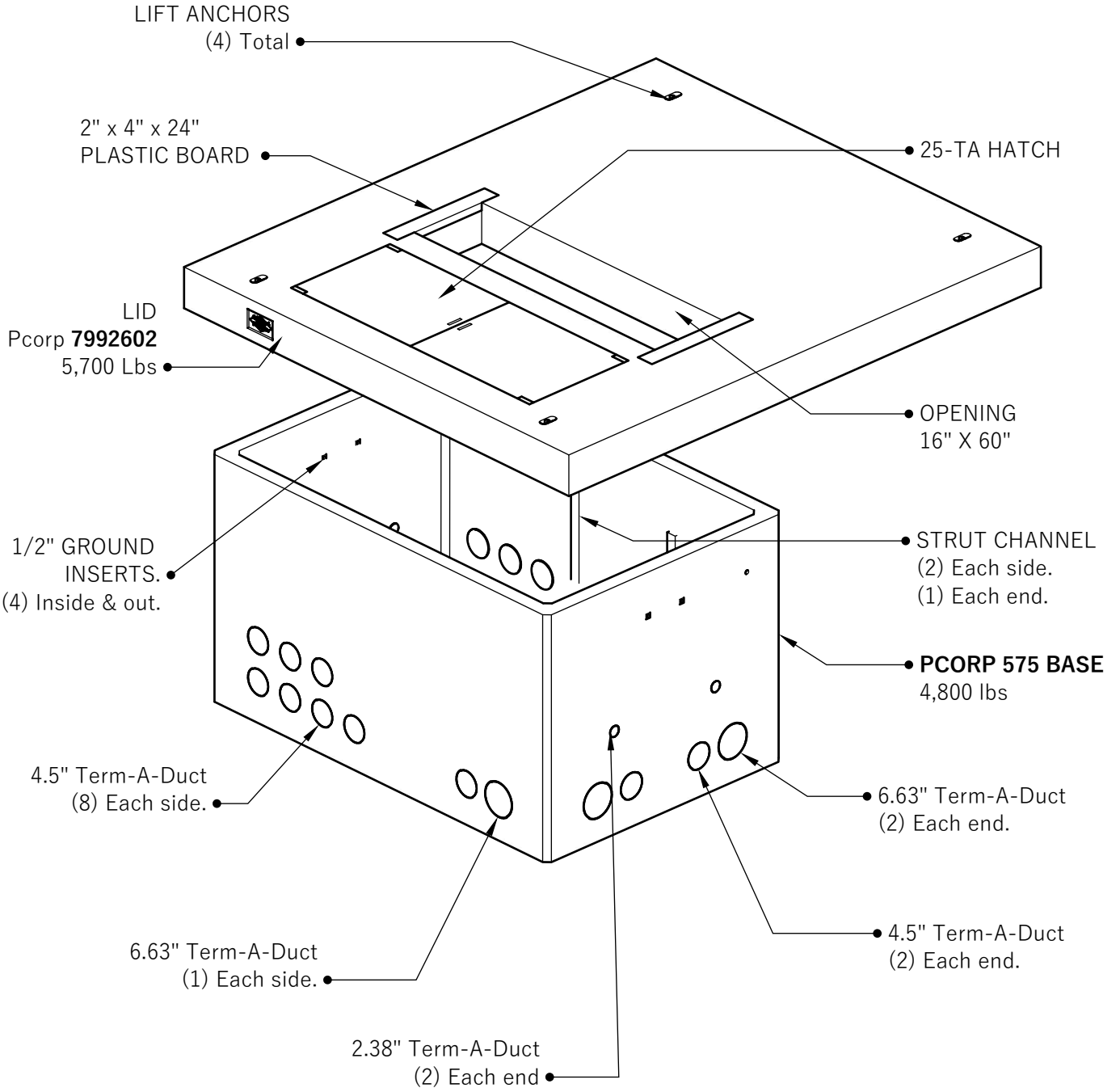


ISO



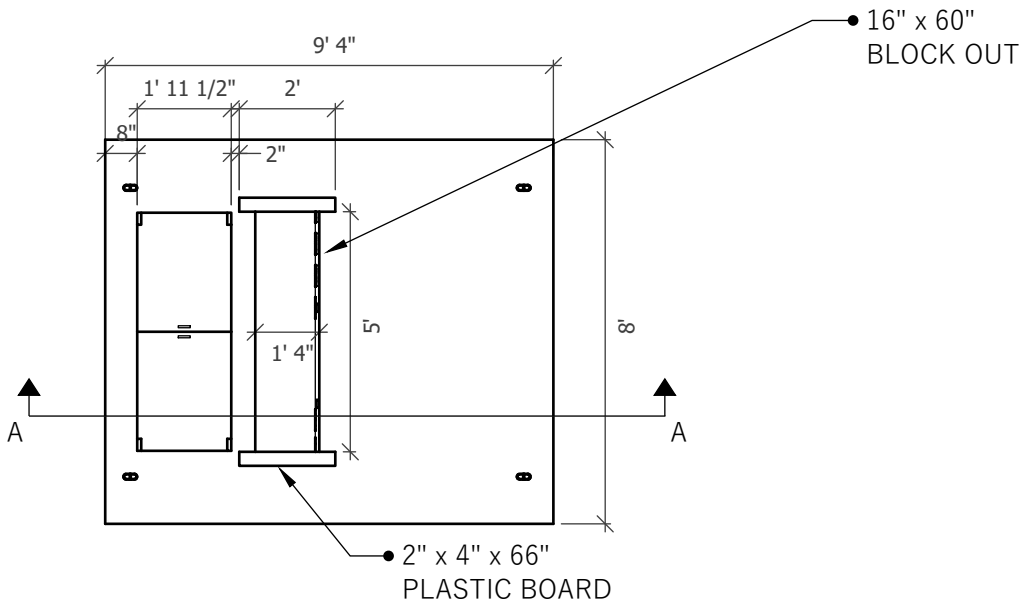
Customer:
Project:
Product: Pcorp 575 - 7992602



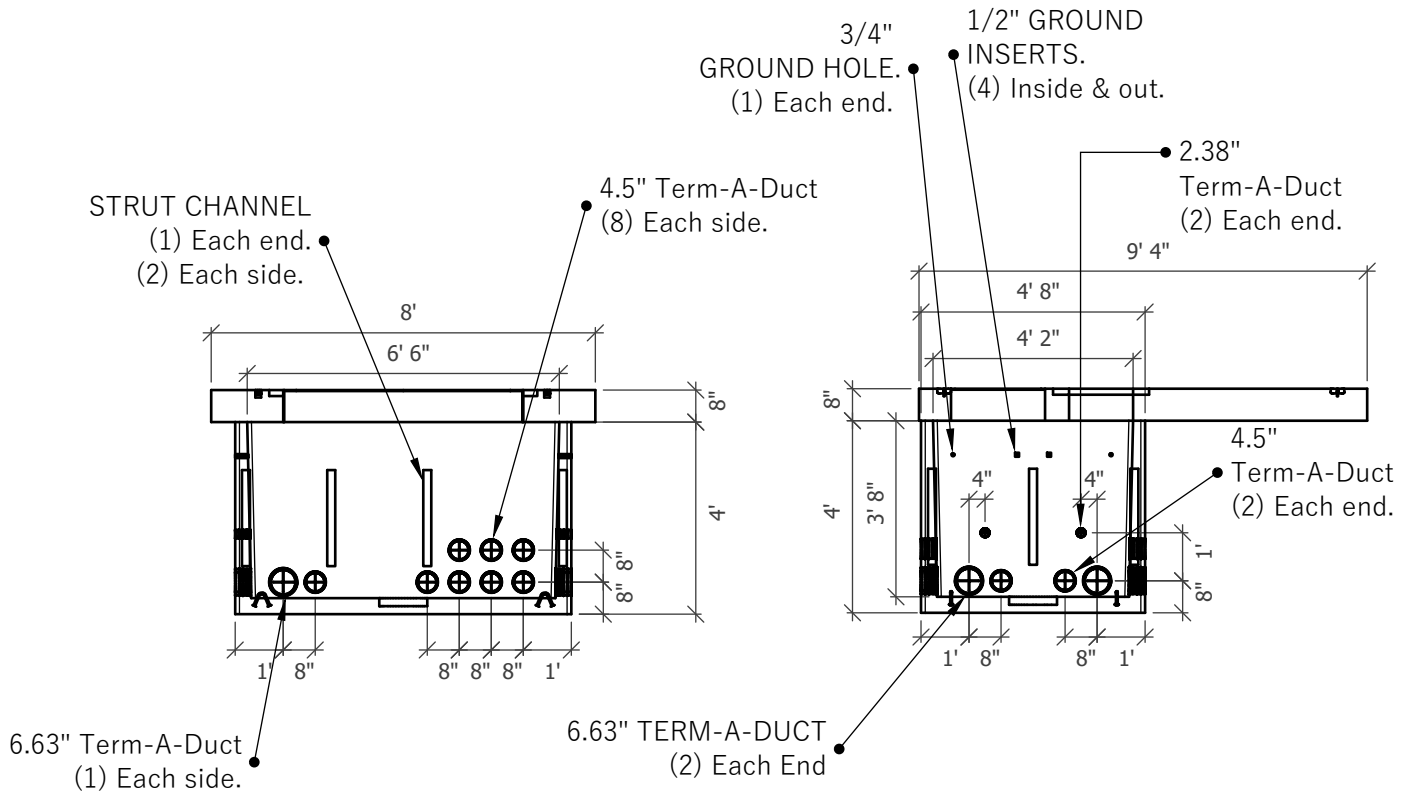
**Pcorp 575 -
7992602**

541-923-3272
1111 NE 11TH ST.
REDMOND, OR
97756

PLAN VIEW



SIDE VIEW



SECTION AA

Customer:
Project:
Product: Pcorp 575 - 7992602



Pcorp 575 - 7992602

541-923-3272
1111 NE 11TH ST.
REDMOND, OR
97756