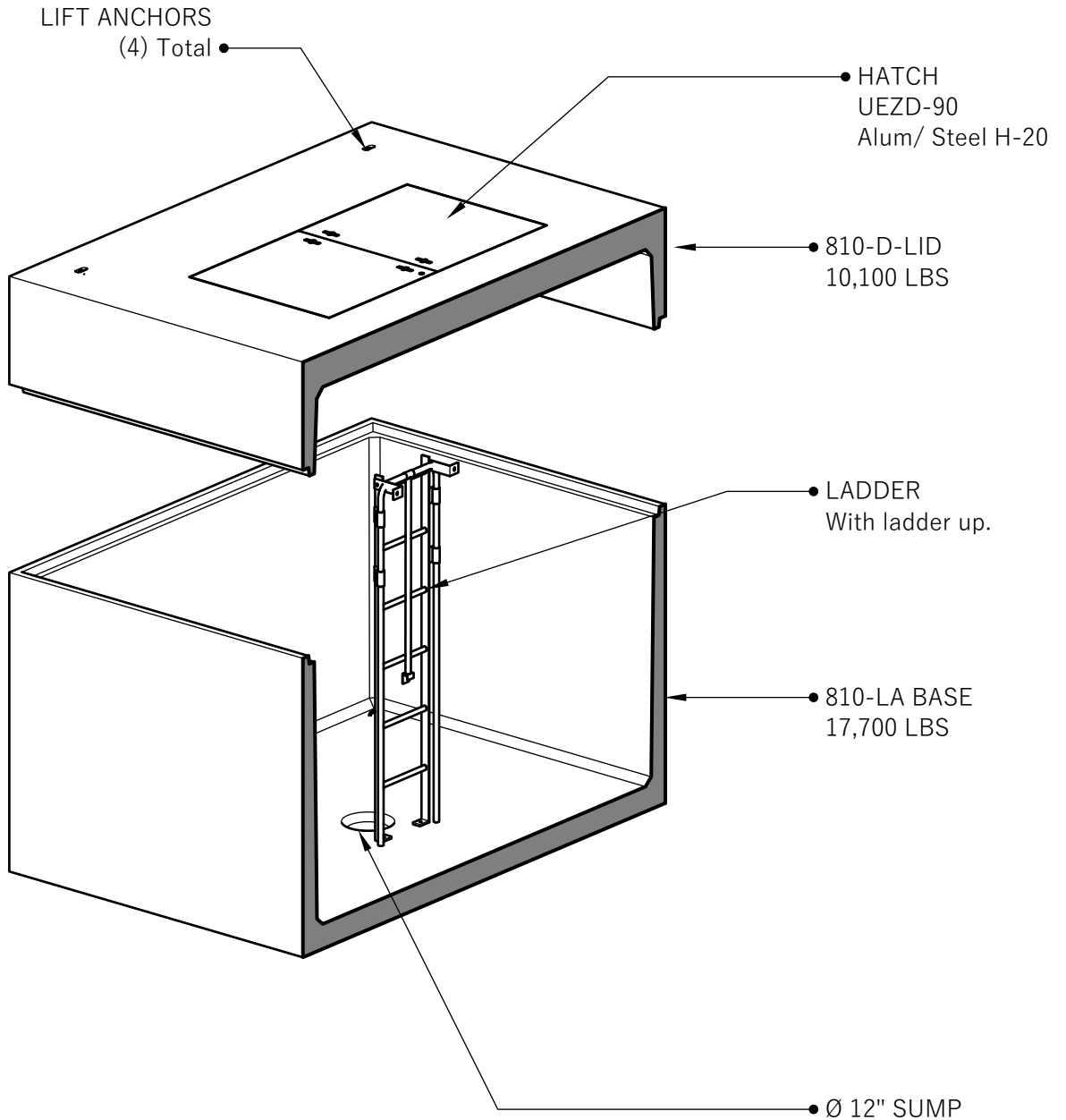


# 810-2D-3x6 H20

## SECTION AA



Customer:

Project:

Product: 810-2D-3x6 H20

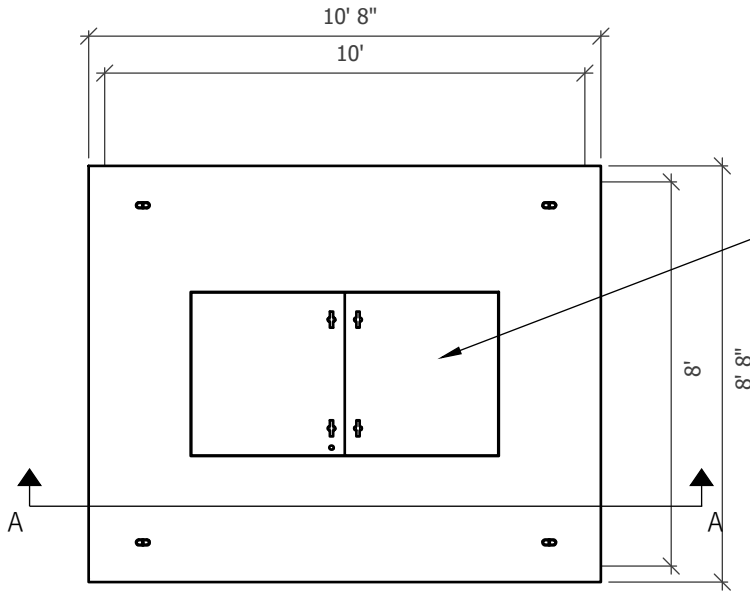


### 810-2D-3x6 H20

541-923-3272  
1111 NE 11TH ST.  
REDMOND, OR  
97756

# 810-2D-3x6 H20

**PLAN VIEW**

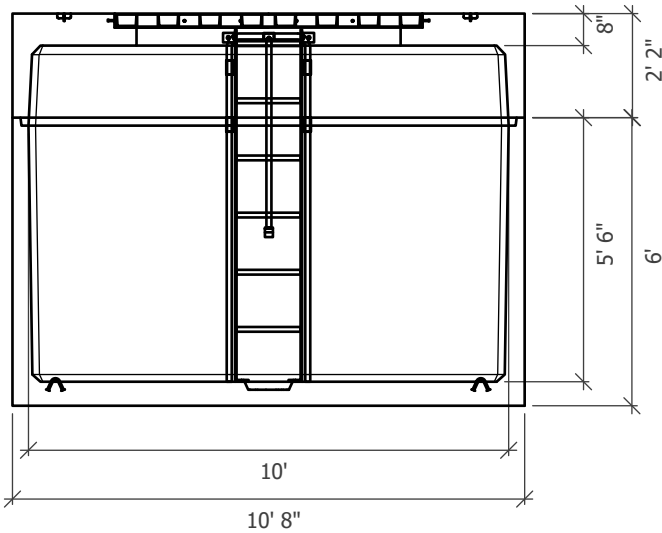


● HATCH  
UEZD-90  
Alum/ Steel H-20

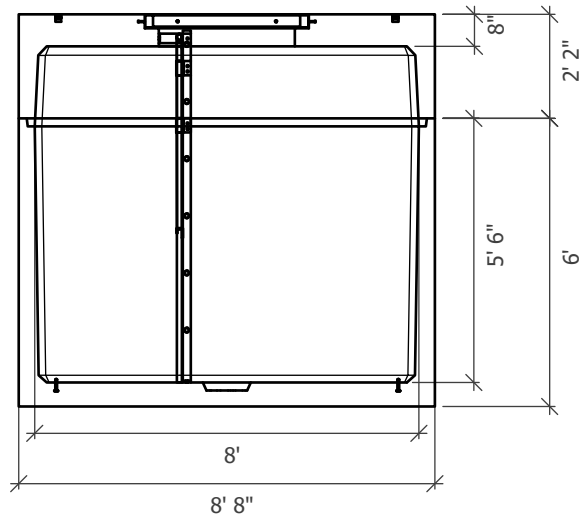
**Notes:**

- \* Strut channel optional.
- \* Duct terminators optional.
- \* Hole coring available.
- \* Knockout optional

**SIDE VIEW**



**END VIEW**



Customer:

Project:

Product: 810-2D-3x6 H20



**810-2D-3x6 H20**

541-923-3272  
1111 NE 11TH ST.  
REDMOND, OR  
97756