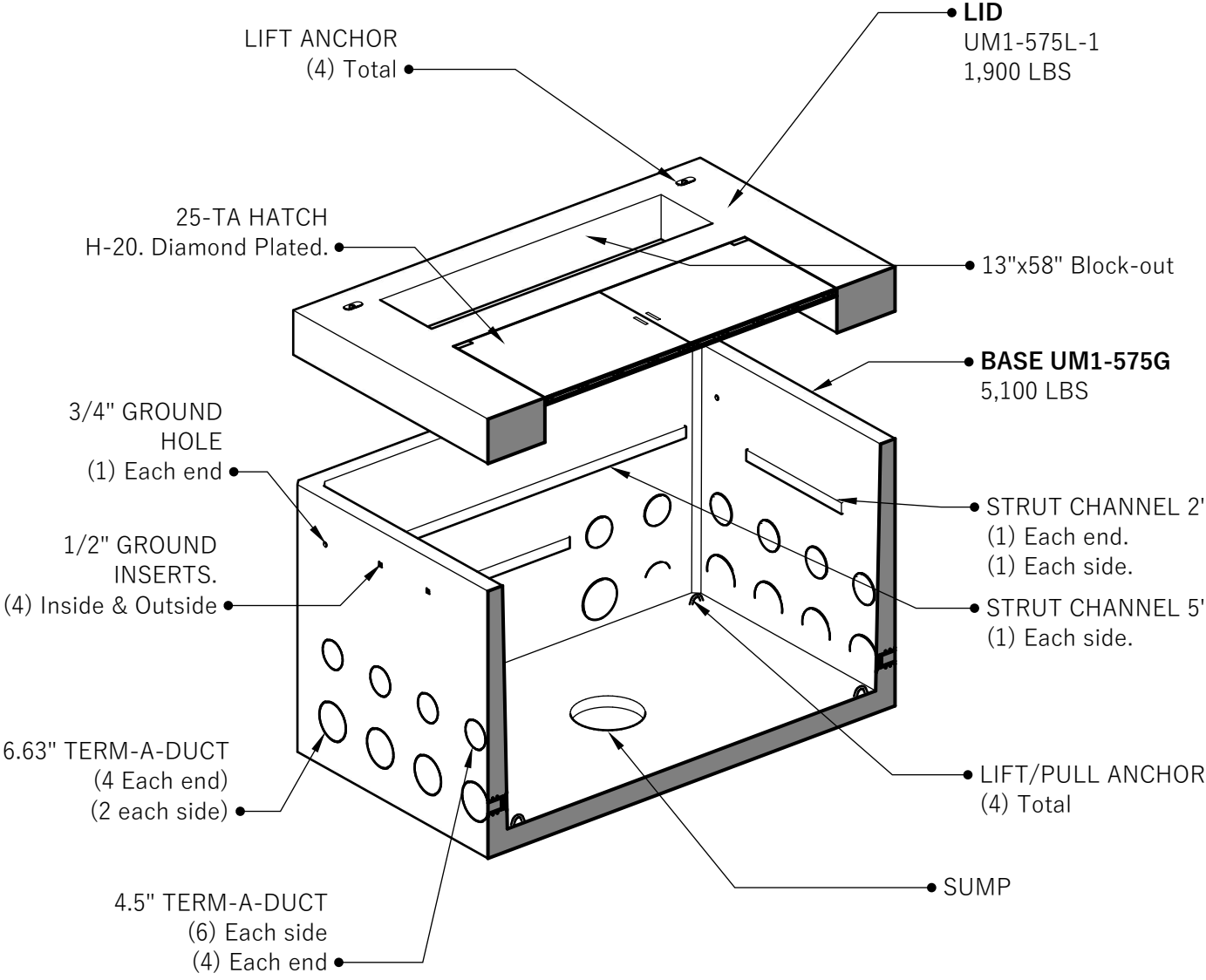


CEC UM1-575L-1

SECTION AA



| |
|-------------------------|
| Customer: |
| Project: |
| Product: CEC UM1-575L-1 |

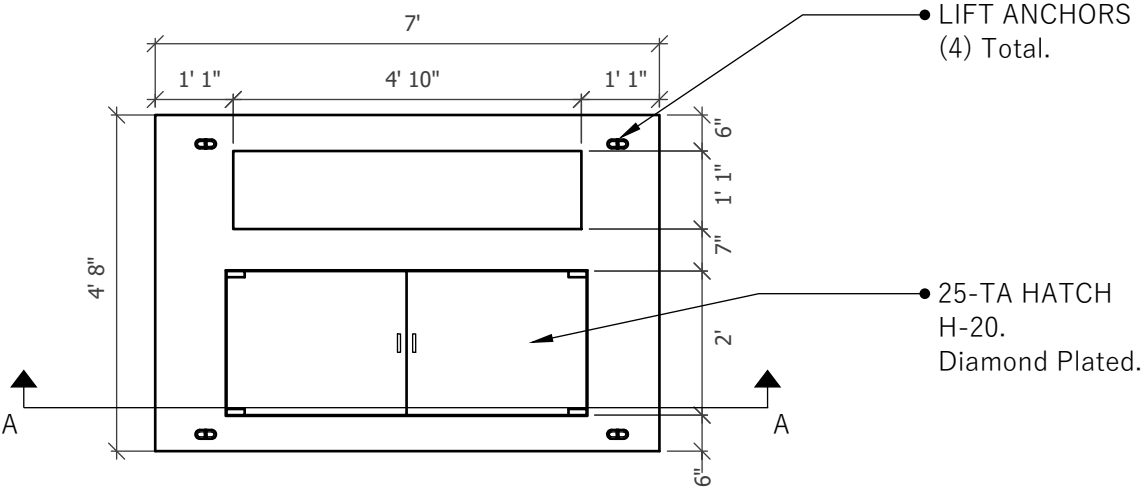


CEC UM1-575L-1

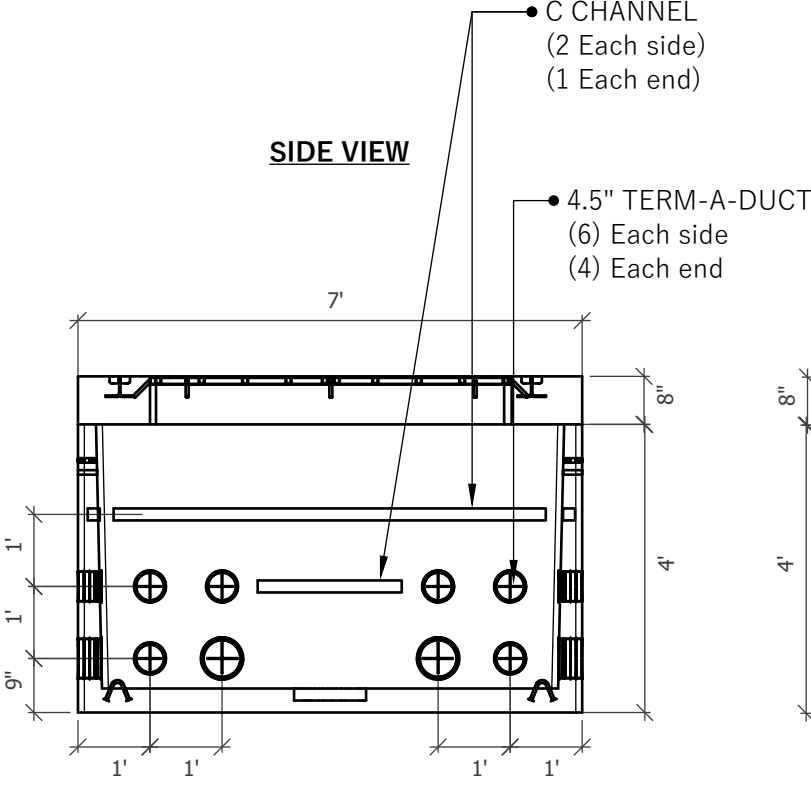
541-923-3272
 1111 NE 11TH ST.
 REDMOND, OR
 97756

CEC UM1-575L-1

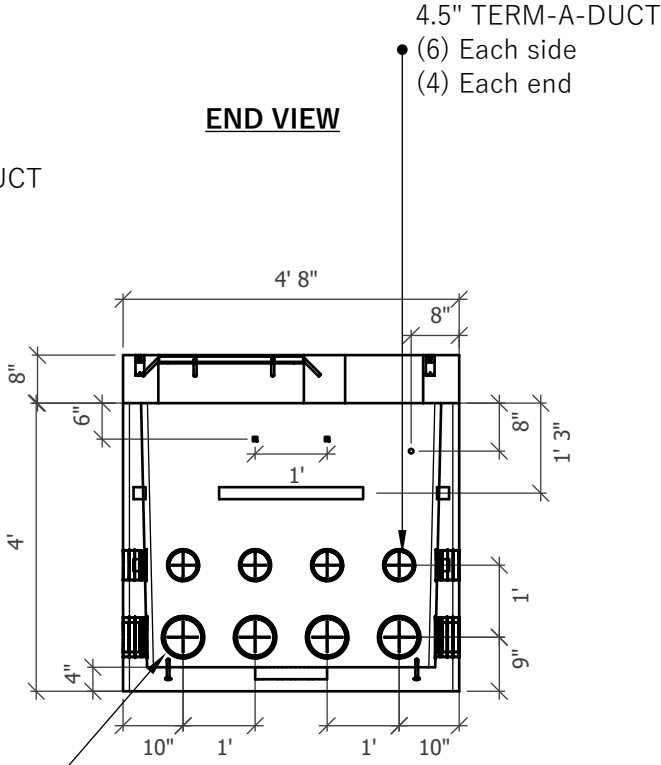
PLAN VIEW



SIDE VIEW



END VIEW



| |
|-------------------------|
| Customer: |
| Project: |
| Product: CEC UM1-575L-1 |



CEC UM1-575L-1

541-923-3272
 1111 NE 11TH ST.
 REDMOND, OR
 97756