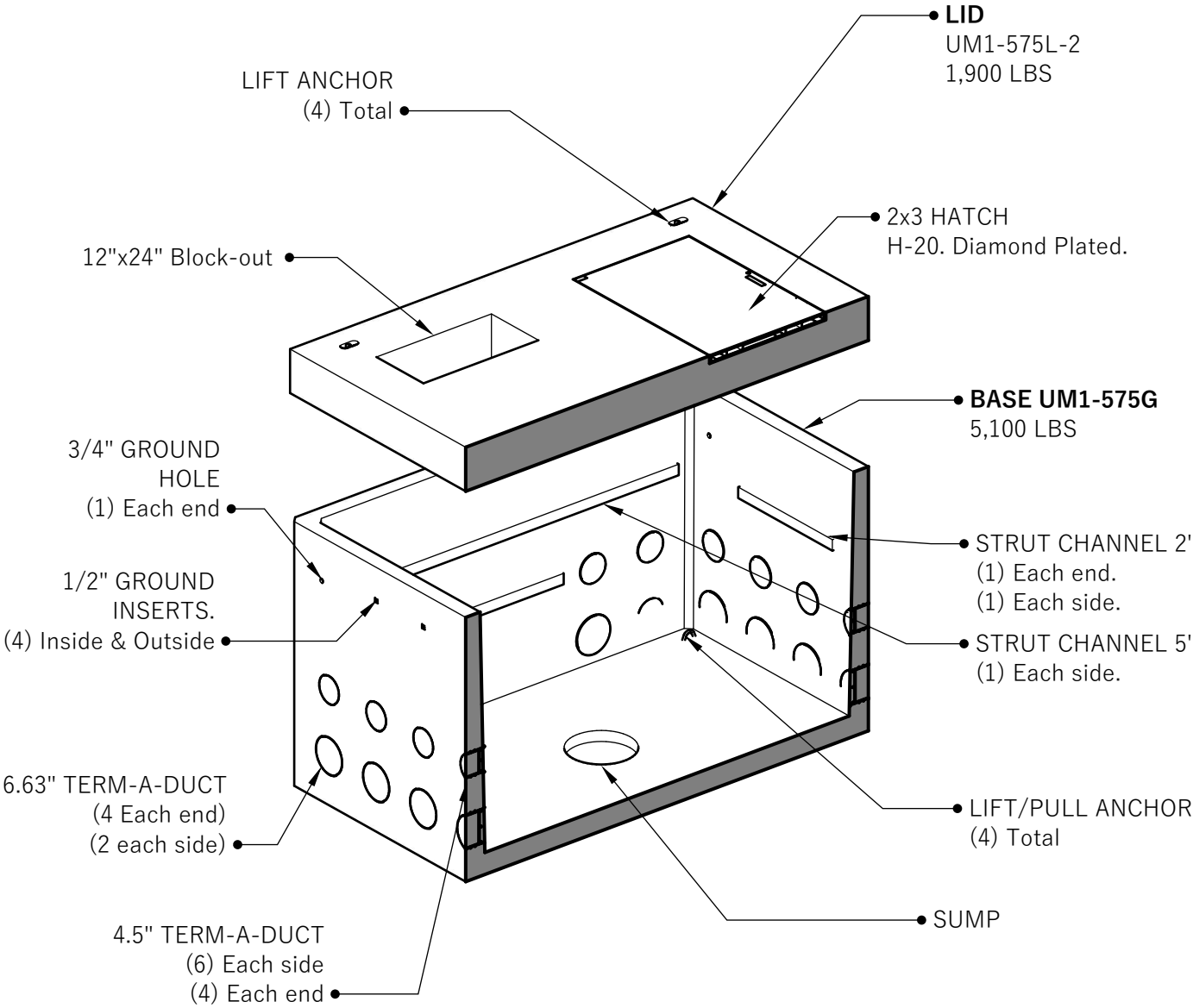


CEC UM1-575L-2

SECTION AA



Customer:
Project:
Product: CEC UM1-575L-2

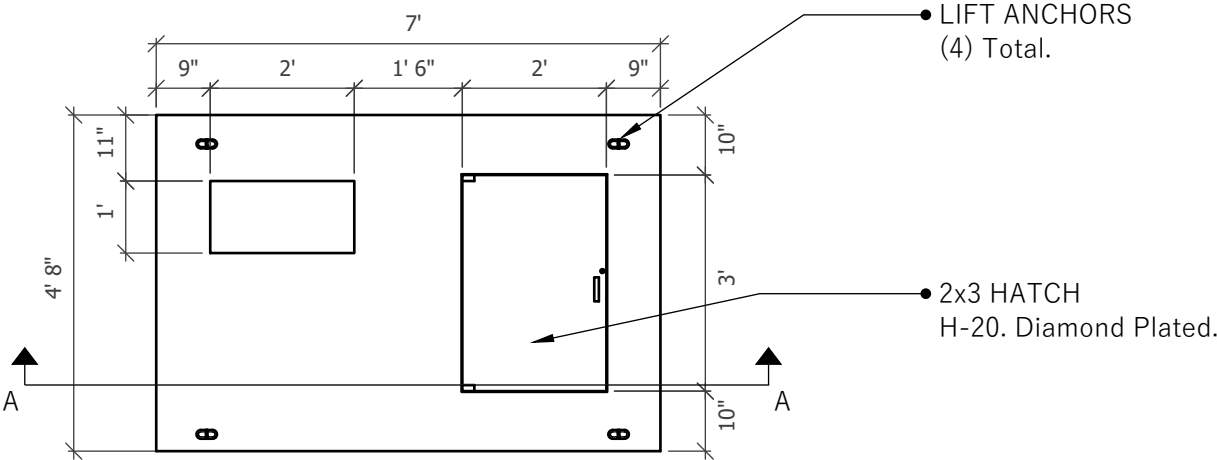


CEC UM1-575L-2

541-923-3272
 1111 NE 11TH ST.
 REDMOND, OR
 97756

CEC UM1-575L-2

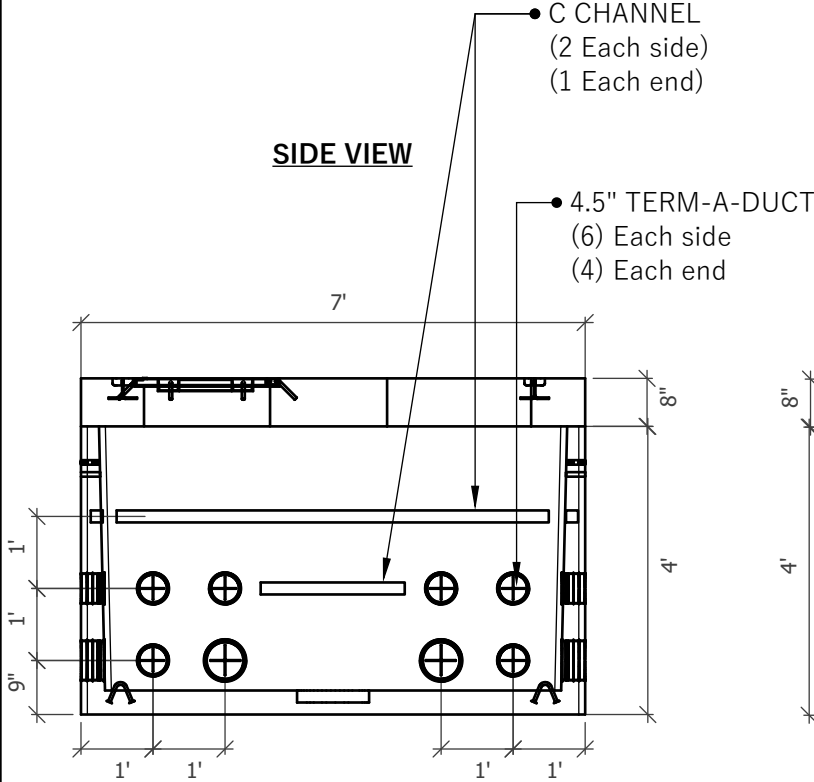
PLAN VIEW



● LIFT ANCHORS
(4) Total.

● 2x3 HATCH
H-20. Diamond Plated.

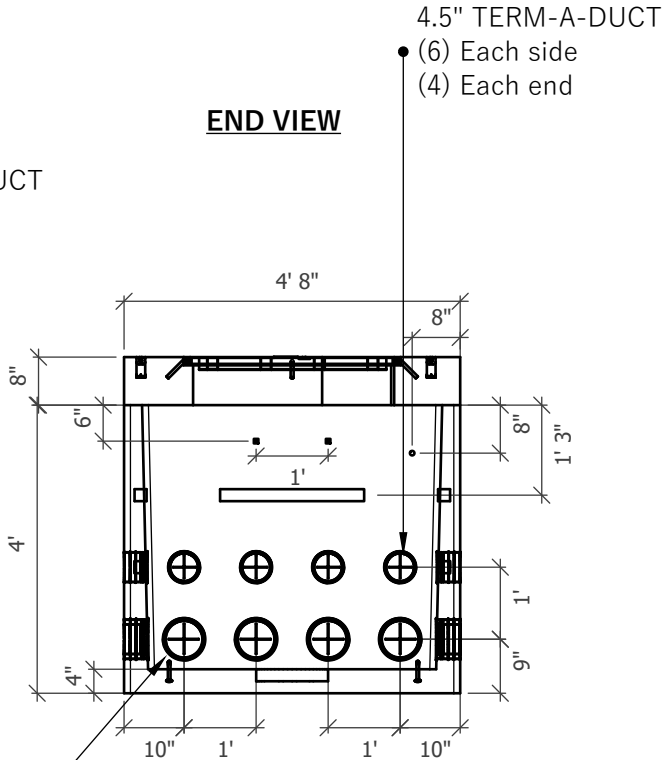
SIDE VIEW



● C CHANNEL
(2 Each side)
(1 Each end)

● 4.5" TERM-A-DUCT
(6) Each side
(4) Each end

END VIEW



● 4.5" TERM-A-DUCT
(6) Each side
(4) Each end

● 6.63" TERM-A-DUCT
(4 Each end)
(2 each side)

Customer:
Project:
Product: CEC UM1-575L-2



CEC UM1-575L-2

541-923-3272
1111 NE 11TH ST.
REDMOND, OR
97756