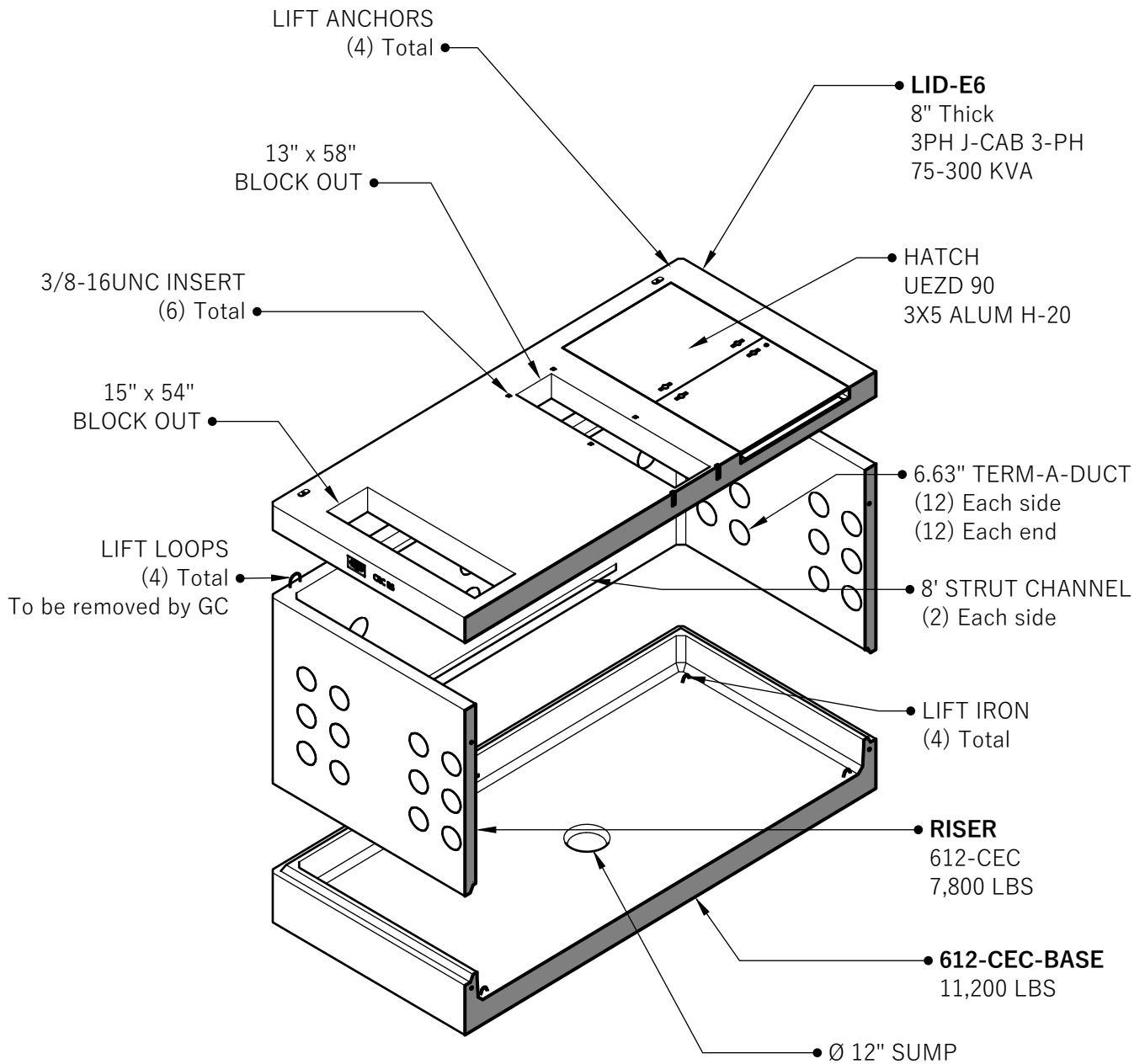
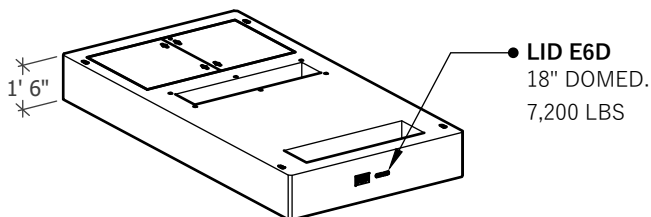


**CEC 612-E6
3PH J-CAB 3-PH 75-300
KVA**

SECTION BB



OPTIONAL



Customer:

Project:

Product: CEC 612-E6
3PH J-CAB 3-PH 75-300 KVA

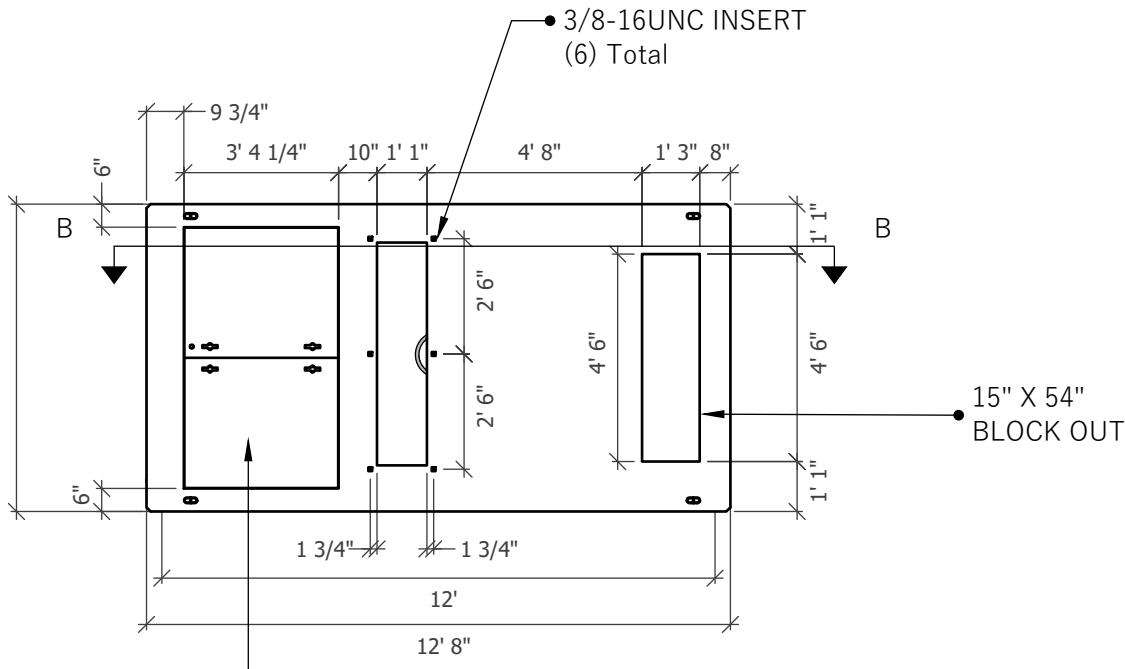


**CEC 612-E6
3PH J-CAB 3-PH 75-300
KVA**

541-923-3272
1111 NE 11TH ST.
REDMOND, OR
97756

CEC 612-E6
3PH J-CAB 3-PH 75-300
KVA

PLAN VIEW



● HATCH
 UEZD 90
 3X5 ALUM H-20

● Ground U-Bar

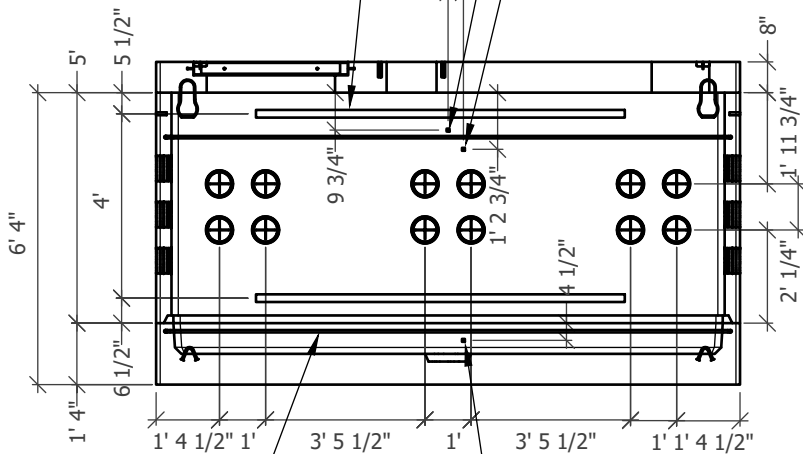
● 6.63" TERM-A-DUCT
 (12) Each side
 (12) Each end

● 8' STRUT CHANNEL
 (2) Each side

● 1/2" GROUND INSERT
 (1) Outside each long wall (2) Total

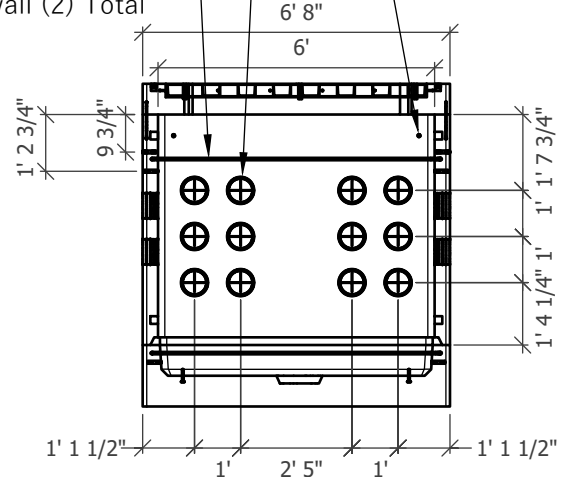
● 1/2" GROUND INSERT
 (1) Inside each long wall (2) Total

● 3/4" GROUND HOLE
 (1) Each end.



● Ground U-Bar

● 1/2" GROUND INSERT
 (1) Inside each long wall
 (2) Total



SIDE VIEW

END VIEW



CEC 612-E6
3PH J-CAB 3-PH 75-300
KVA

541-923-3272
 1111 NE 11TH ST.
 REDMOND, OR
 97756