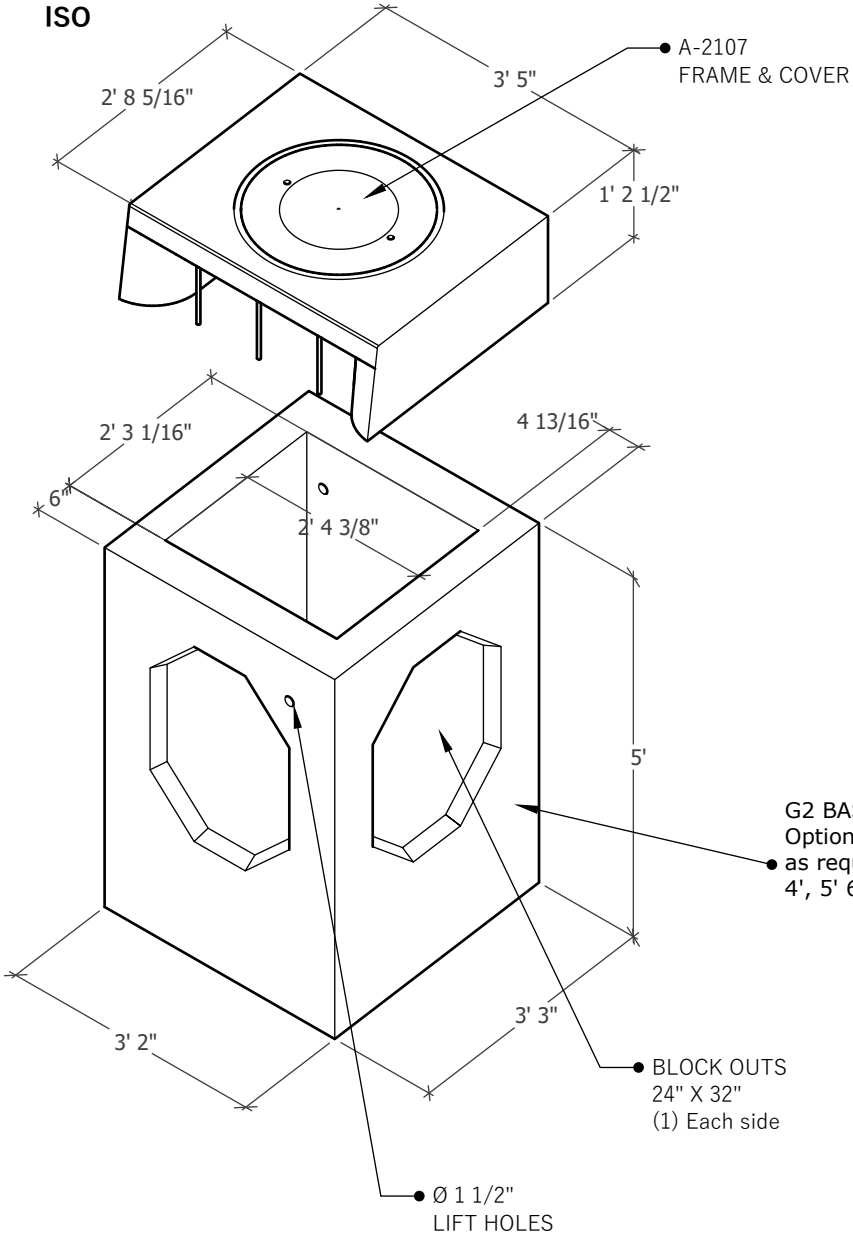
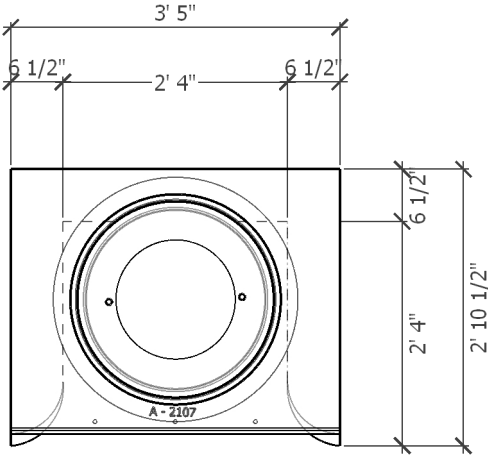


# CG-3 CURB INLET

ISO



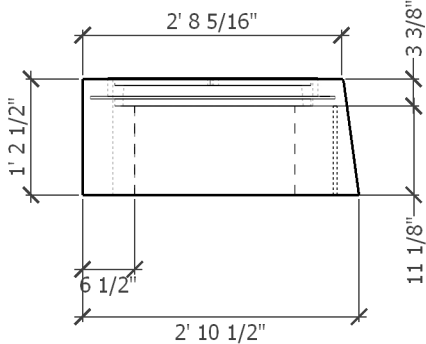
INLET TOP



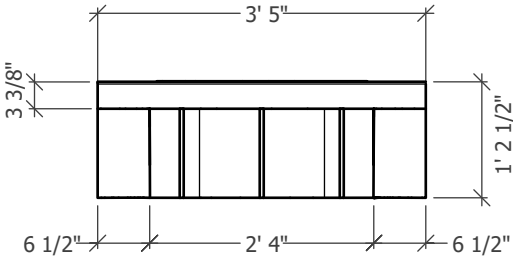
G2 BASE  
Optional heights  
as required:  
4', 5', 6'.

BLOCK OUTS  
24" X 32"  
(1) Each side

Ø 1 1/2"  
LIFT HOLES



INLET SIDE



INLET FRONT



CG-3  
CURB INLET

541-923-3272  
1111 NE 11TH ST.  
REDMOND, OR  
97756