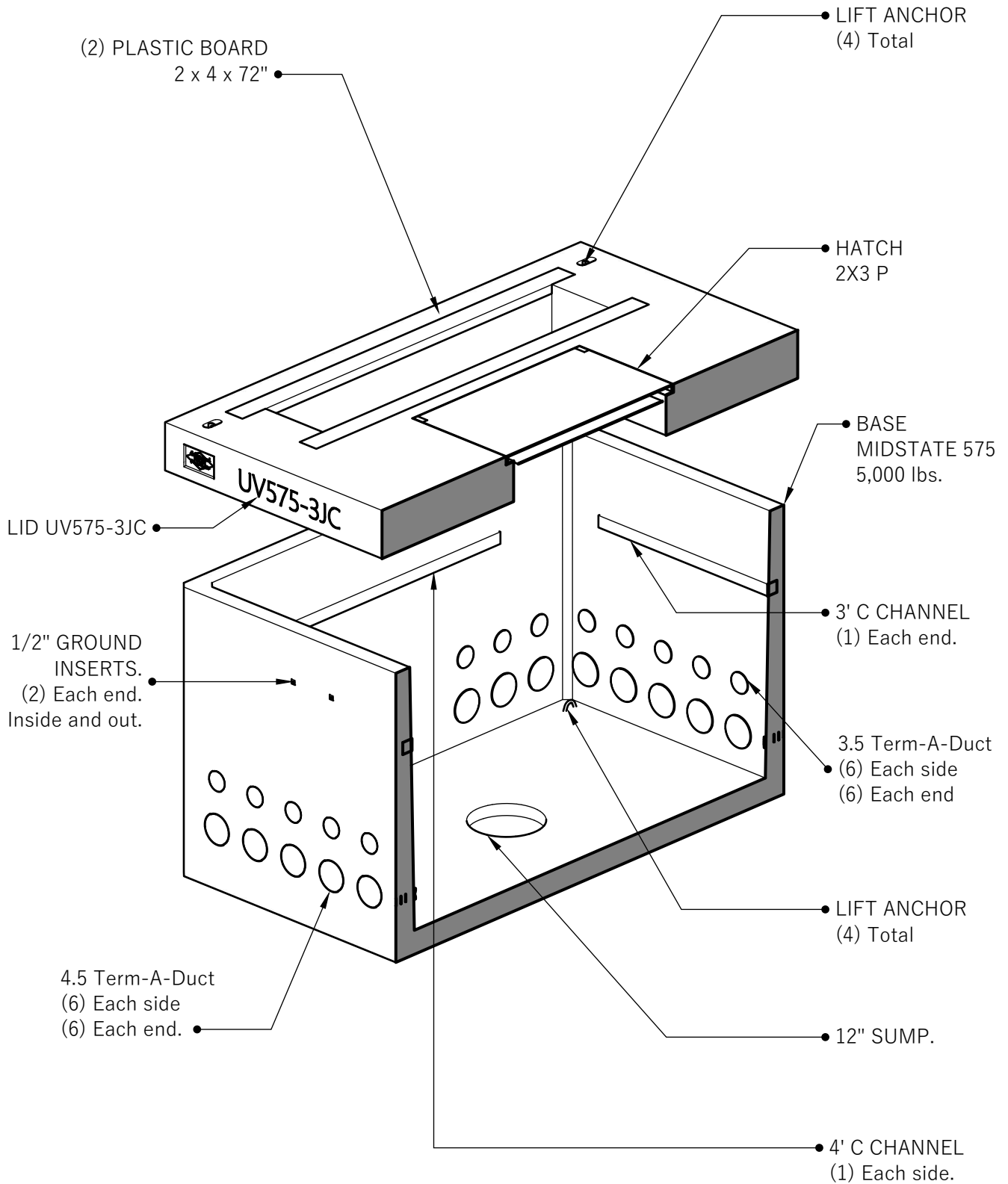


UV575-3JC

ISOMETRIC CUTAWAY



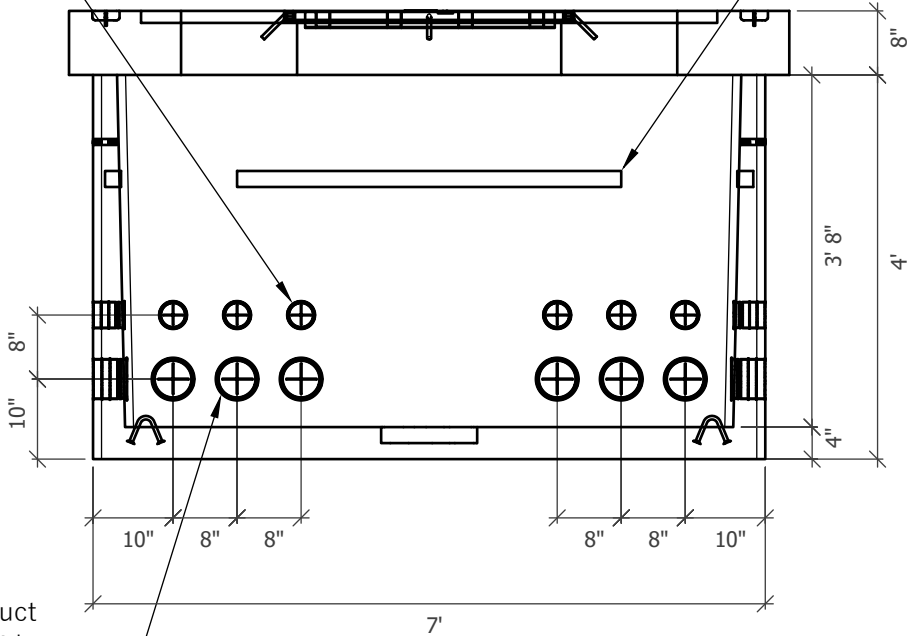
ISOMETRIC	 <p>541-923-3272 1111 NE 11TH ST. REDMOND, OR 97756</p>	Date Modified: April 4, 2022	1
		Plan Sheet: M1, M2	
Customer: MIDSTATE ELECTRIC	Project:	Product: UV575-3JC	

UV575-3JC

SECTION AA

3.5 Term-A-Duct
(6) Each side

4' C CHANNEL
(1) Each side.

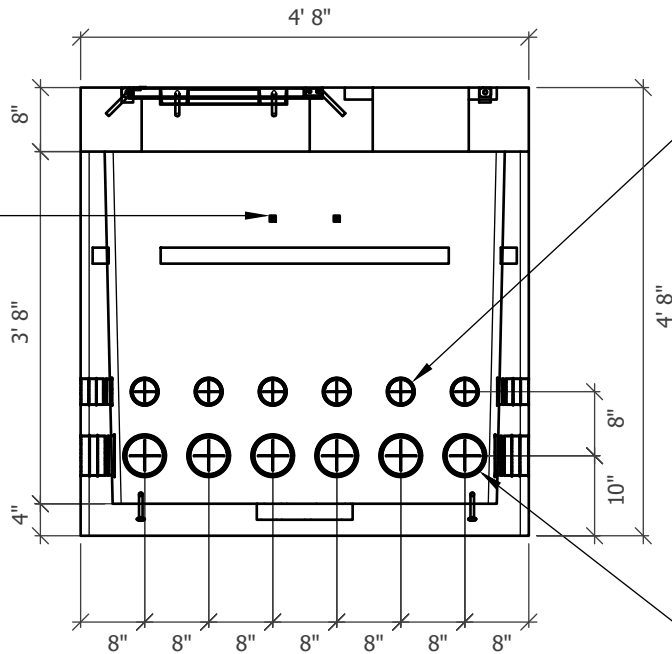


4.5 Term-A-Duct
(6) Each side

SECTION BB

1/2" GROUND
INSERTS.
(2) Each end.
Inside and out.

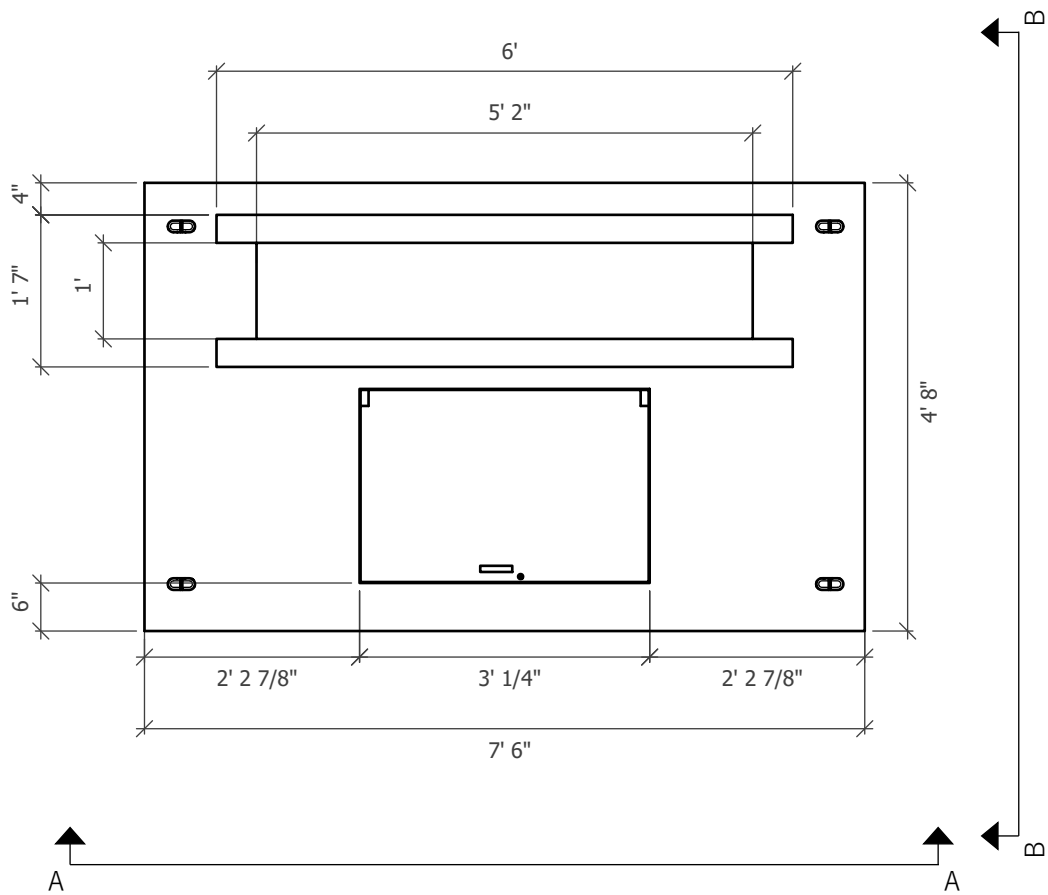
3.5 Term-A-Duct
(6) Each end



4.5 Term-A-Duct
(6) Each end.

PROFILE	 <p>541-923-3272 1111 NE 11TH ST. REDMOND, OR 97756</p>	Date Modified: April 4, 2022	2
		Plan Sheet: M1, M2	
Customer: MIDSTATE ELECTRIC	Project:	Product: UV575-3JC	

UV575-3JC



PLAN VIEW		541-923-3272 1111 NE 11TH ST. REDMOND, OR 97756	Date Modified: April 4, 2022	3
		Plan Sheet: M1, M2		
Customer: MIDSTATE ELECTRIC	Project:	Product: UV575-3JC		