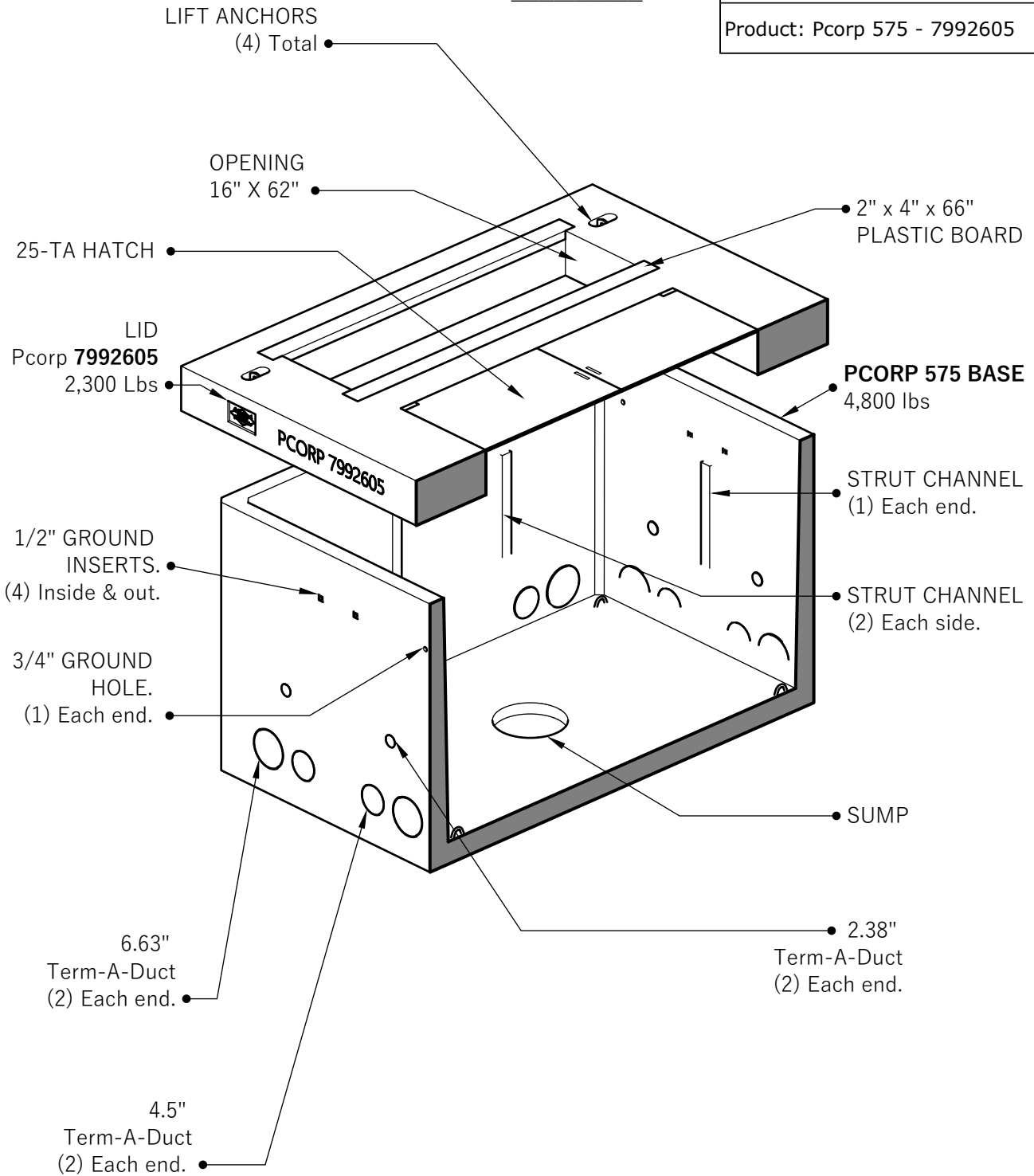


15 kV Three-Phase Sectionalizing Cabinet Pad (SI#7992605)

Pcorp 575 - 7992605

Customer:
Project:
Product: Pcorp 575 - 7992605

SECTION AA



**Pcorp 575 -
7992605**

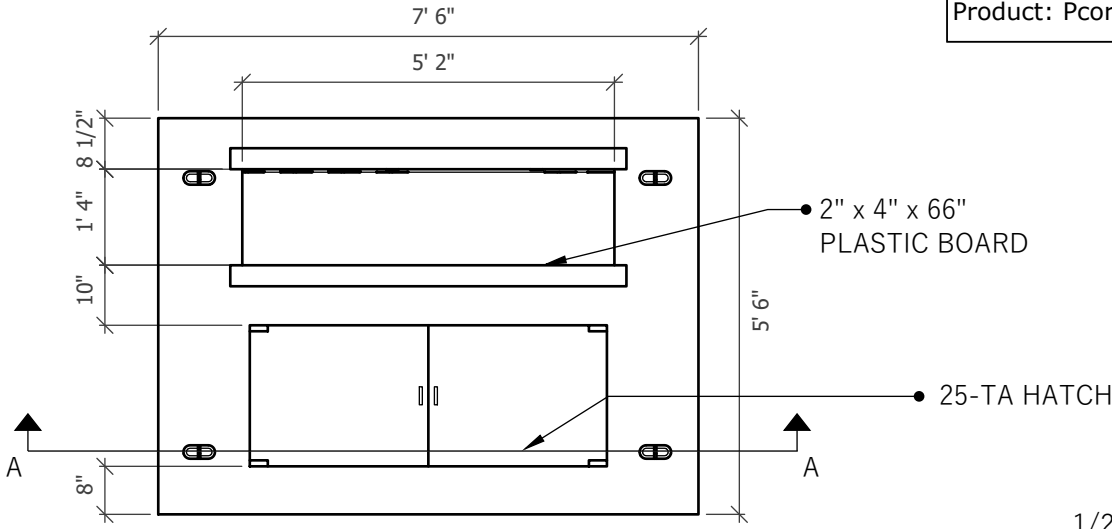
541-923-3272
1111 NE 11TH ST.
REDMOND, OR
97756

15 kV Three-Phase Sectionalizing Cabinet Pad (SI#7992605)

Pcorp 575 - 7992605

Customer:
Project:
Product: Pcorp 575 - 7992605

PLAN VIEW



4.5" TERM-A-DUCT
(8) Each side

STRUT CHANNEL
(1) Each end.
(2) Each side.

6.63" TERM-A-DUCT
(1) Each side.

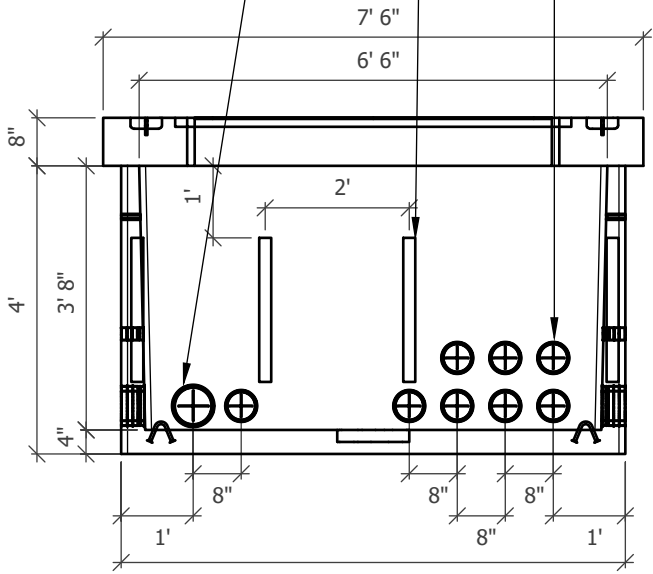
6.63" TERM-A-DUCT
(2) Each end

3/4"
GROUND HOLE.
(1) Each end.

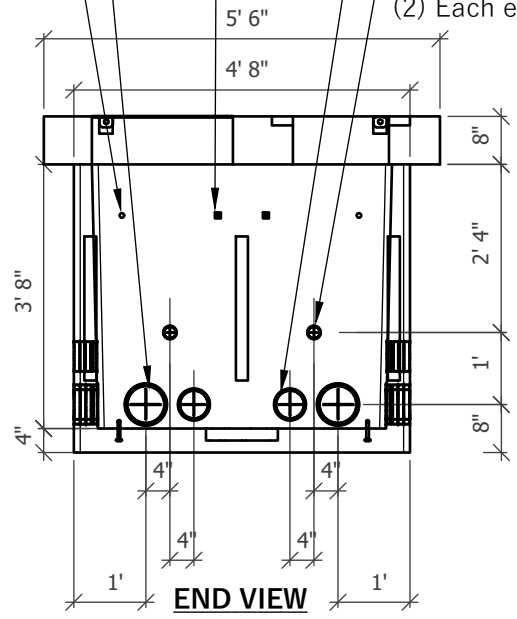
1/2" GROUND
INSERTS.
(4) Inside & out.

4.5"
Term-A-Duct
(2) Each end.

2.38"
Term-A-Duct
(2) Each end.



SIDE VIEW



END VIEW



**Pcorp 575 -
7992605**

541-923-3272
1111 NE 11TH ST.
REDMOND, OR
97756