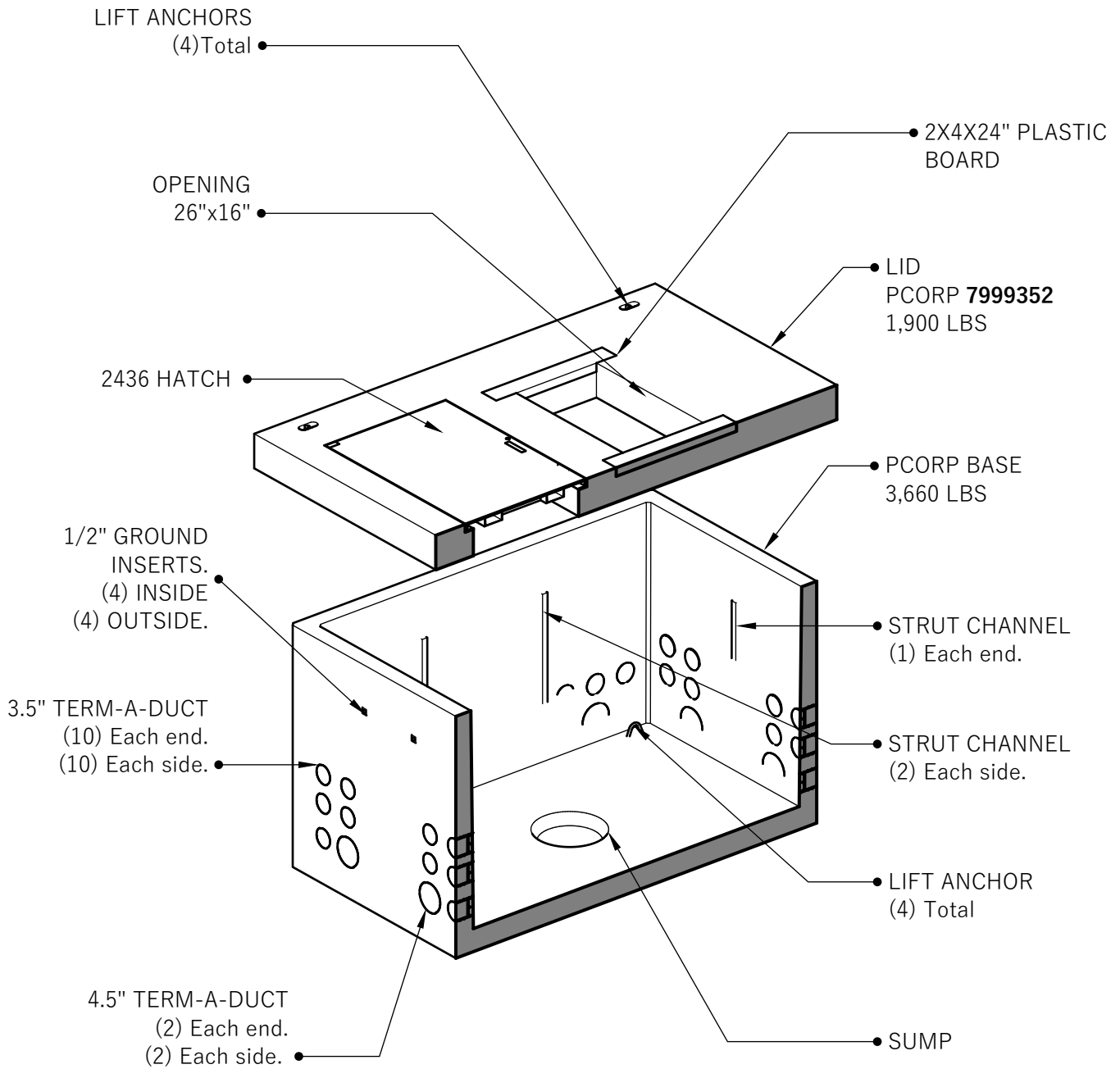


SECTION AA



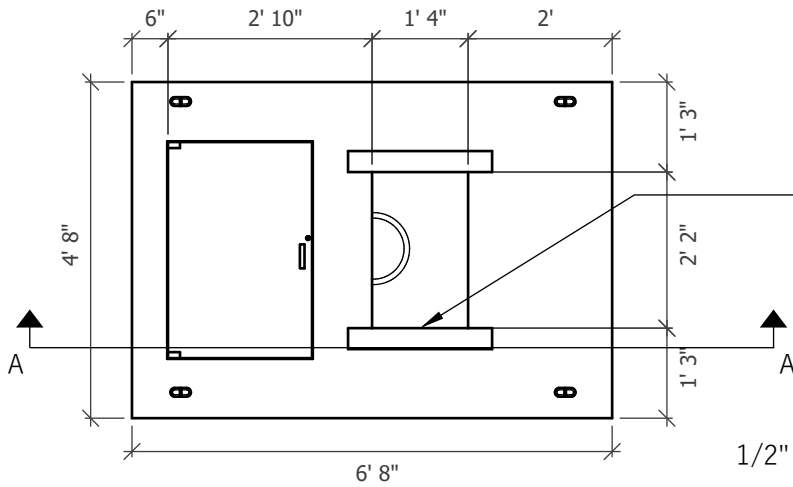
Customer:
Project:
Product: 644-Pcorp-7999352



**644-Pcorp-7999352**

541-923-3272  
1111 NE 11TH ST.  
REDMOND, OR  
97756

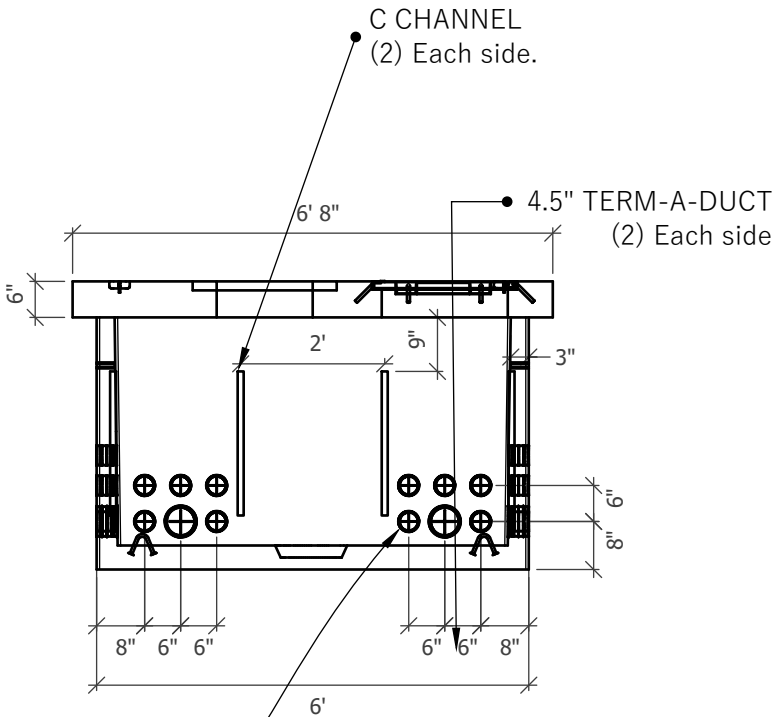
**PLAN VIEW**



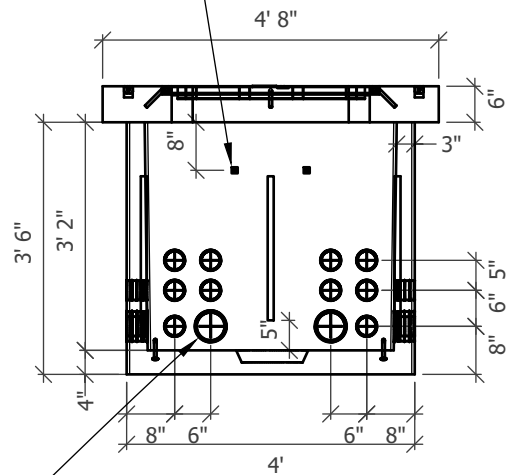
• 2X4X24" PLASTIC BOARD

1/2" GROUND INSERTS.  
(4) INSIDE  
(4) OUTSIDE.

**SIDE VIEW**



**END VIEW**



3.5"  
TERM-A-DUCT  
(10) Each side  
(10) Each end

4.5" TERM-A-DUCT  
(2) Each end.

Customer:
Project:
Product: 644-Pcorp-7999352



**644-Pcorp-7999352**

541-923-3272  
1111 NE 11TH ST.  
REDMOND, OR  
97756