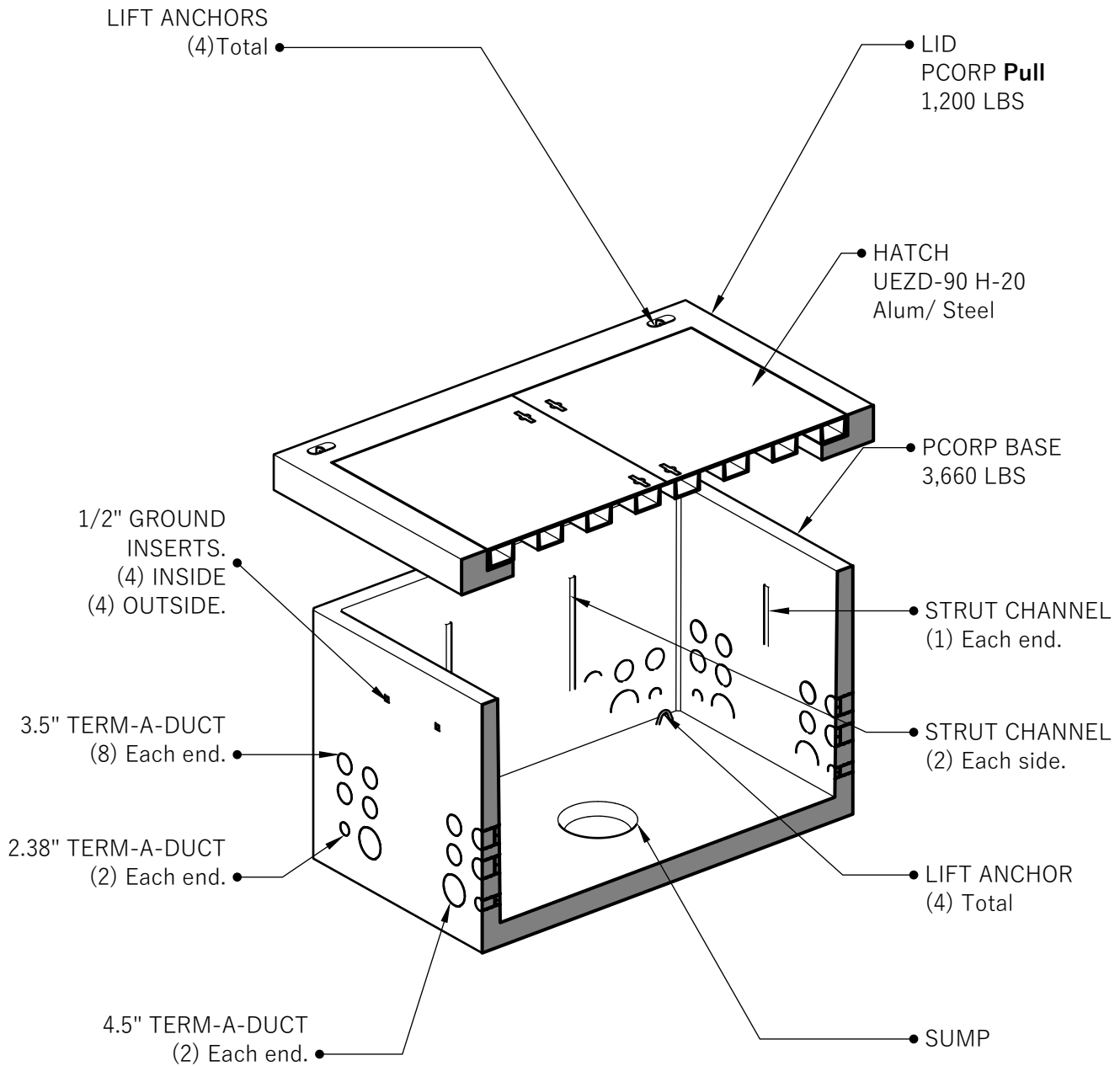


644-Pcorp-PULL

SECTION AA



Customer:

Project:

Product: 644-Pcorp-PULL

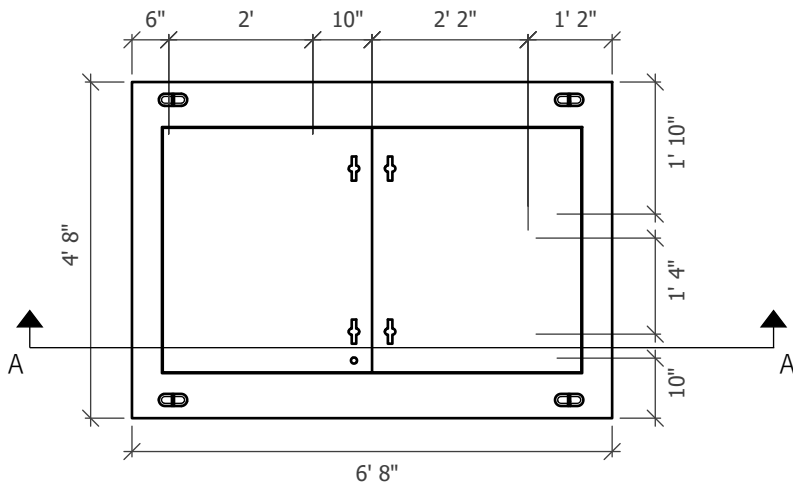


644-Pcorp-PULL

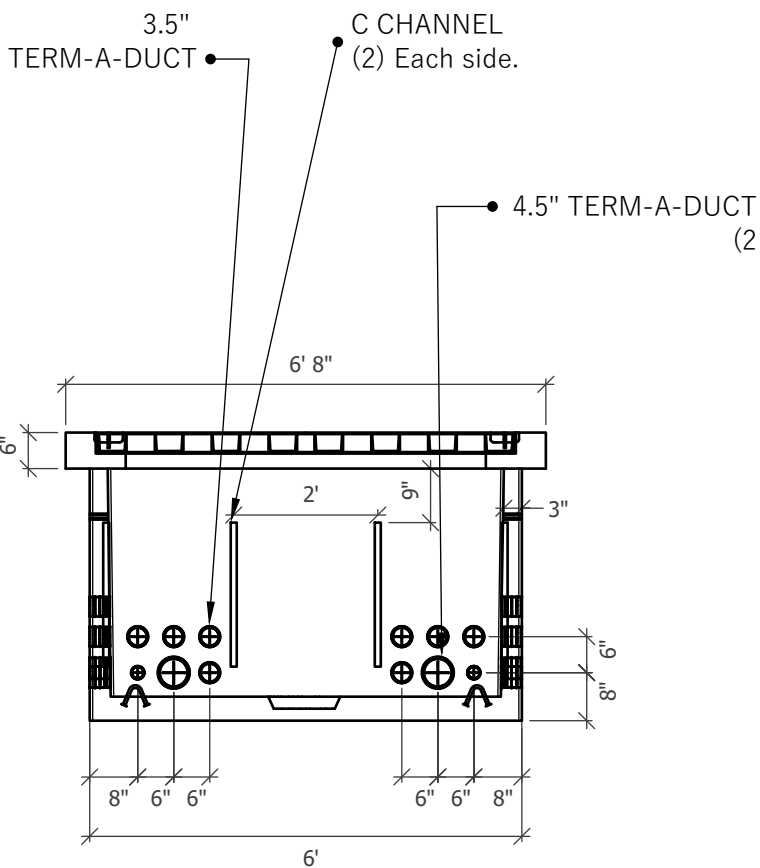
541-923-3272
1111 NE 11TH ST.
REDMOND, OR
97756

644-Pcorp-PULL

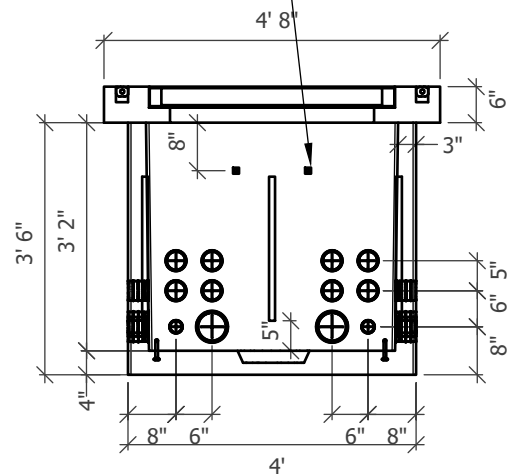
PLAN VIEW



1/2" GROUND
INSERTS.
(4) INSIDE
(4) OUTSIDE.



SIDE VIEW



END VIEW



644-Pcorp-PULL

541-923-3272
1111 NE 11TH ST.
REDMOND, OR
97756