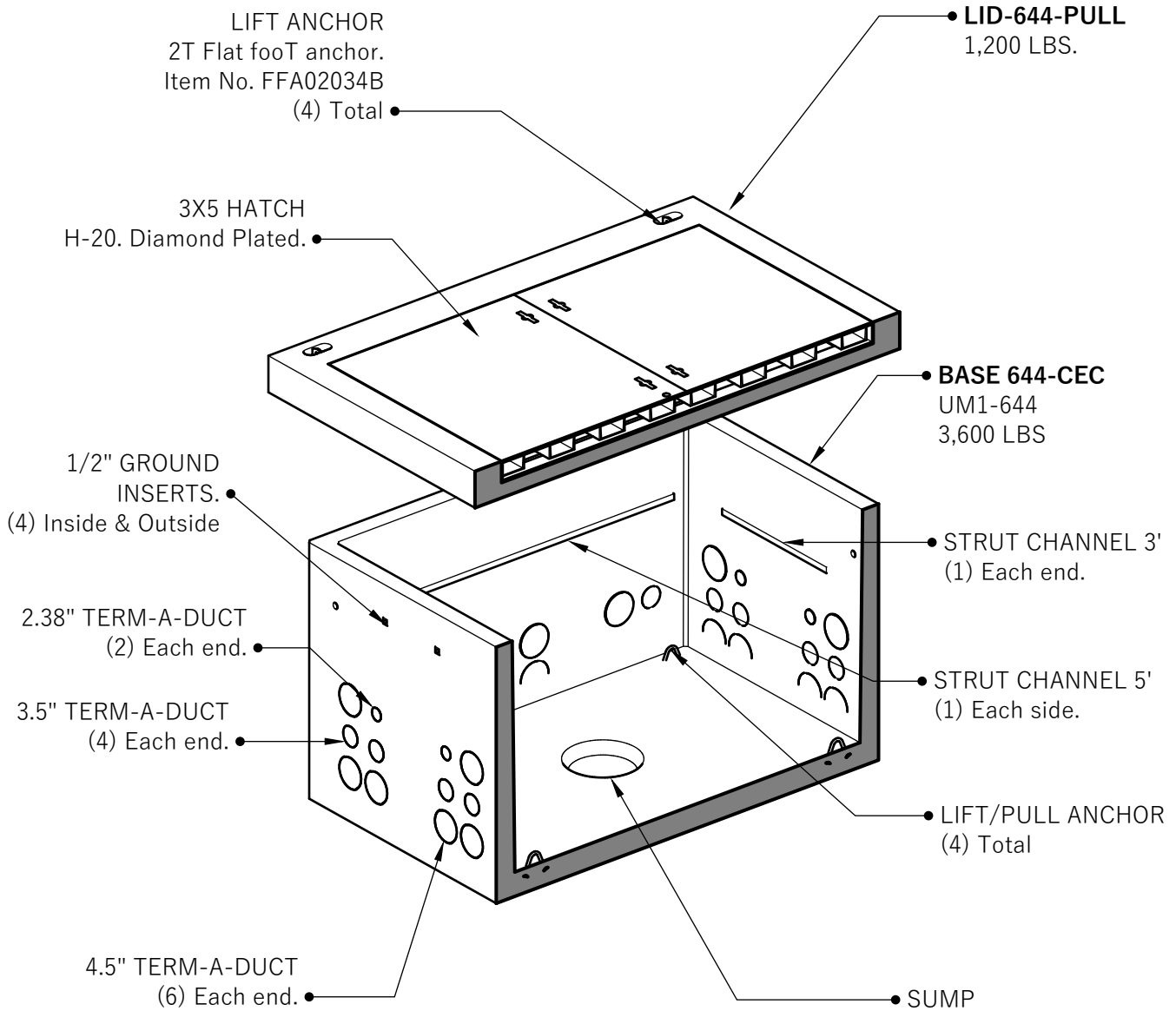


SECTION AA



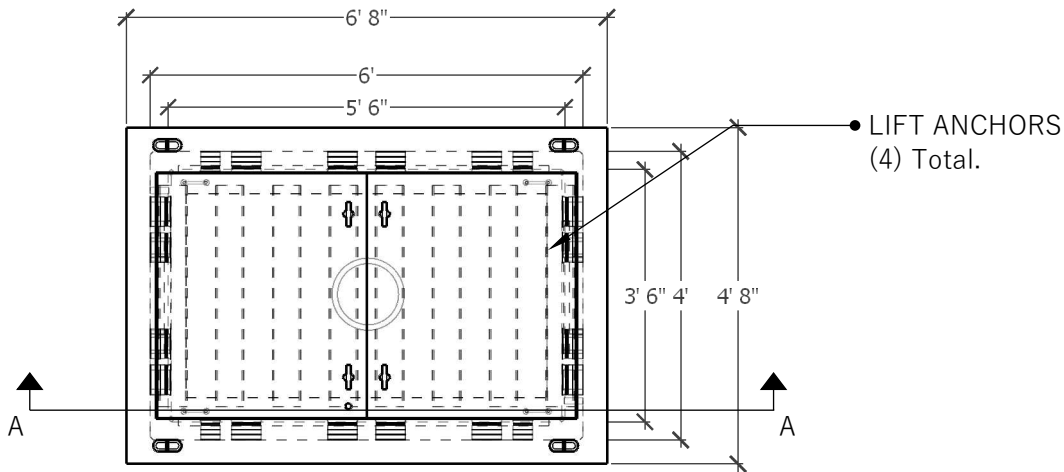
Customer:
Project:
Product: UM1-644L-2



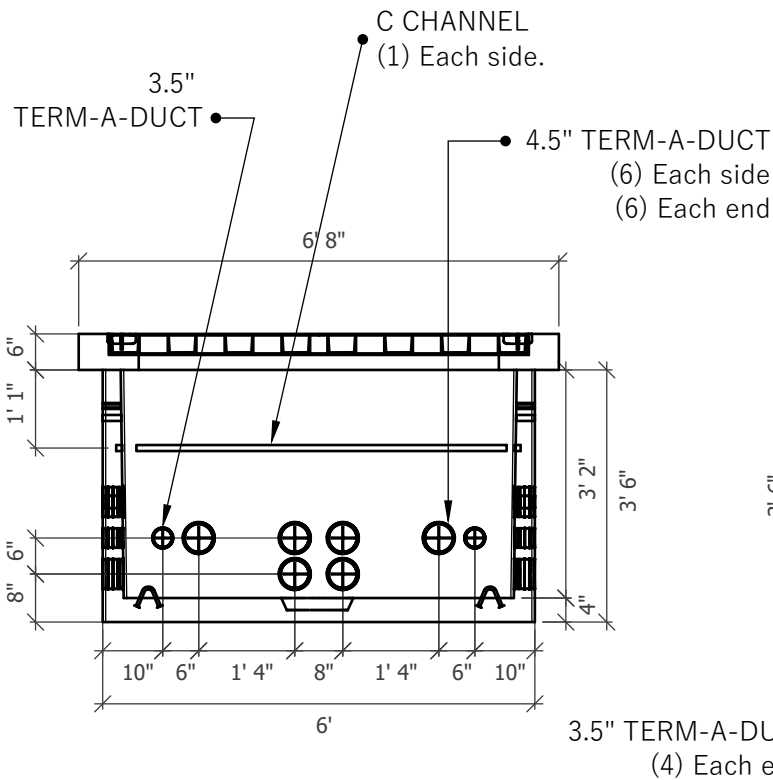
UM1-644L-2

541-923-3272
 1111 NE 11TH ST.
 REDMOND, OR
 97756

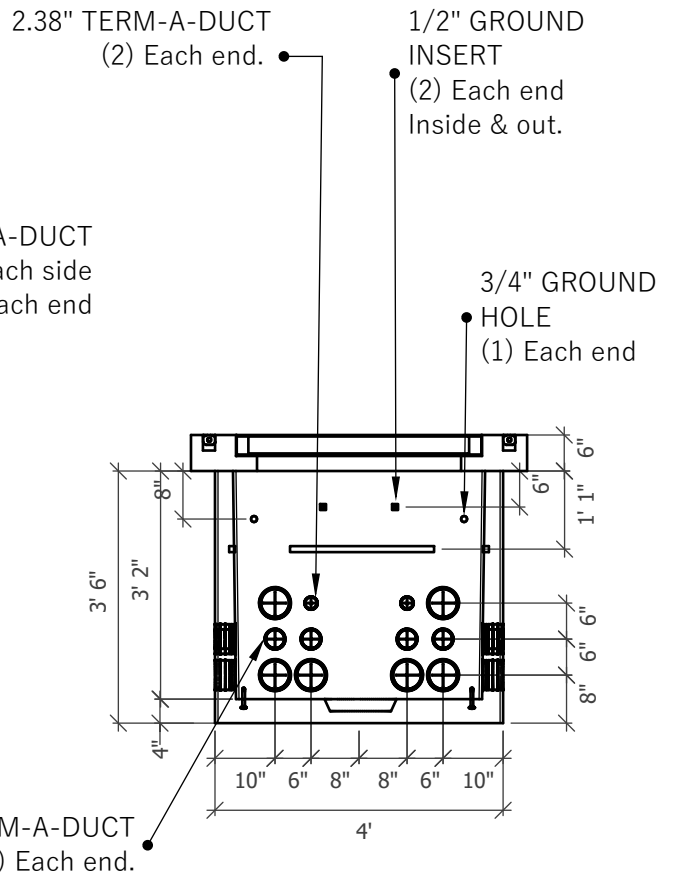
PLAN VIEW



SIDE VIEW



END VIEW



Customer:
Project:
Product: UM1-644L-2



UM1-644L-2

541-923-3272
1111 NE 11TH ST.
REDMOND, OR
97756